

AOLAIT

250W Beam Moving Head



USER MANUAL

INDEX

Introduction2

Safety Information3

Installation5

Power Supply7

Signal Connection9

Channel List10

Maintenance & Cleaning13

Thank for your taking this product. In order to avoid potential hazards may cause bodily injury, property damage or product damage, please read carefully and fully understand all the guidance in this manual before any operation of this fixture. The Company does not undertake any direct loss and associated loss of the manual instructions pressed caused.

Introduction:

250W Beam Moving Head

Voltage: AC100-240V 50/60Hz

Power: 300W

Light Source: PHILIPS 250W Lamp

Lifespan: 1500hours

Ballast: Electronic ballast

Channel: 16CH

Color Plate: 1 Color plate, 14 colors+ open

1 Six-color plate

Gobo Plate: 1 Fixed gobo plate, 13 gobos+ open

Prism: 2 Rotation prism, One 8-facet prism, One honeycomb prisms

Frost: Gradually frost

Strobe: 0.5-14/sec, various strobe effects

Optics: Glass optical lens

Display: LCD display(Chinese/English optional)

Movement: Pan 540°Tilt 270°8/16Bit resolution

IP Grade: IP20

Built-in overheating protection and intelligent cooling system, remote control bulb switch and power

Safety Information



WARNING:

Read the Safety Information Chapter before any installation,
connection to power and maintenance of this product,
For Professional use only!

This product would cause serious injury or fatal electric shock, burning, lamp explosion, falling. Read the Safety Information Chapter before installation, power, and maintenance. Follow the safety guidance on light body



Shock protection

- ◆ Disconnect the external power supply when open the cover or replacement parts, or lamps not in use.
- ◆ Ensure reliable equipment and used with overload protection and grounding and lighting that matches the AC voltage frequency
- ◆ Use 5A rated load over three-core power cable
- ◆ Before use, ensure that the cable is in a normal state and is suitable for the amount of current connected devices
- ◆ When power cable or plug is damaged, wet or power is overheating, disconnect power immediately
- ◆ Do not expose this product to rain or humid air

Safely grounded



Lamp Safety

- ◆ Prolonged exposure can cause eye and skin burns Before adding blocking ultraviolet discharge bulbs, do not look directly into the mouth and lit light bulb
- ◆ Cover, light barrier, lenses, protective screen or damaged insulation sheet lamps, do not use
- ◆ Protective screen on lamps, lenses or ultraviolet screens if produce visible damage, that damage to the extent of the failure, such as when cracks or deep marks, should be replaced
- ◆ Lamps should only be used with the full use of protective cover Strip
- ◆ Hot strong pressure discharge lamp may explode without warning phenomenon
Therefore, maintenance or operation of the bulb inside the lamp body shall wear goggles and gloves and ensure adequate cooling fixtures
- ◆ Do not use defective, damaged or have any other defective bulb, the bulb is damaged or deformed, replace
- ◆ Monitor lamp usage time and the light fades, the specification or in front of the bulb manufacturer rated lamp life lamp replacement
- ◆ Bulbs installed to comply with the relevant safety requirements
- ◆ If the lamp is broken quartz sphere, will release a small amount of mercury and toxic gas. If you are in a small space, please evacuate and thorough ventilation of this space as soon as possible, collect the

ruptured lamp should wear protective gloves, not to be thrown away when the light bulb scrapped, should these poisonous dangerous goods sent to specialized treatment institutions



Burns and fire prevention

- ◆ Exterior lighting during use may be relatively high temperature, avoid contact with the human body or other object, please let the lamp to cool sufficiently before handling
- ◆ Ensure combustible materials (such as: fabric, wood, paper, etc.) at least 0.2 meters away from the lamps, flammable items away from the equipment as possible, to ensure that air inlet and outlet of at least 0.1 meters of space
- ◆ Do not directly irradiated surfaces within 10 m range
- ◆ During the day when the lens cover or turn the direction of the lens to avoid direct sunlight on the lens, because the lens can focus the sun causing a potential fire hazard
- ◆ When the ambient temperature exceeds 40 ° C (104 ° F). Do not start to use
- ◆ Do not modify the fixture anyway, do not install non-original parts, not paste any filters on the lens or other optical accessories, pictures
- ◆ Do not attempt to short-circuit fuse or thermostat switch



Avoid falling damage

- ◆ Don't operate alone when handling fixture A
- ◆ On the hanger to be used both uniform light hook, shall use a separate light hook
- ◆ Ensure support and hanging system can support more than 10 times the weight of the fixture.
- ◆ Enhance safety rope hanging lamps and the focal point of the lamps shall handle
- ◆ Install insurance rope, safety rope must be able to withstand 10 times the weight of the lamp
- ◆ Make sure the external accessories and fastening spreader complete
- ◆ Installation, maintenance, and mobile lighting should have a stable platform, which should have a security fence just below
- ◆ Related operations are not described in this article, please consult an authorized after-sales department

Installation

WARNING:



Install the safety hinge when hanging the fixture to avoid any mal-function of the clamp.

Safety hinge must be tied to the hole of the fixture. Can't tie to the handle.

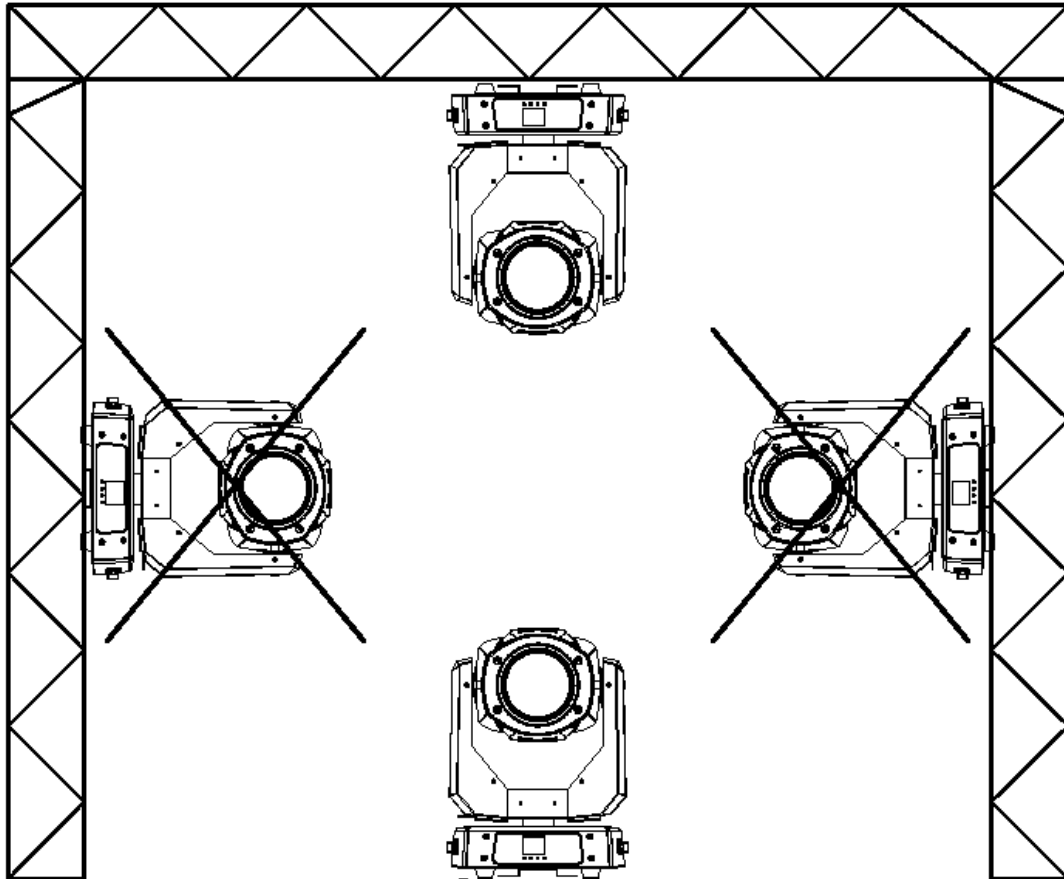
The moving of the head might make the base moving when the light is not properly placed.

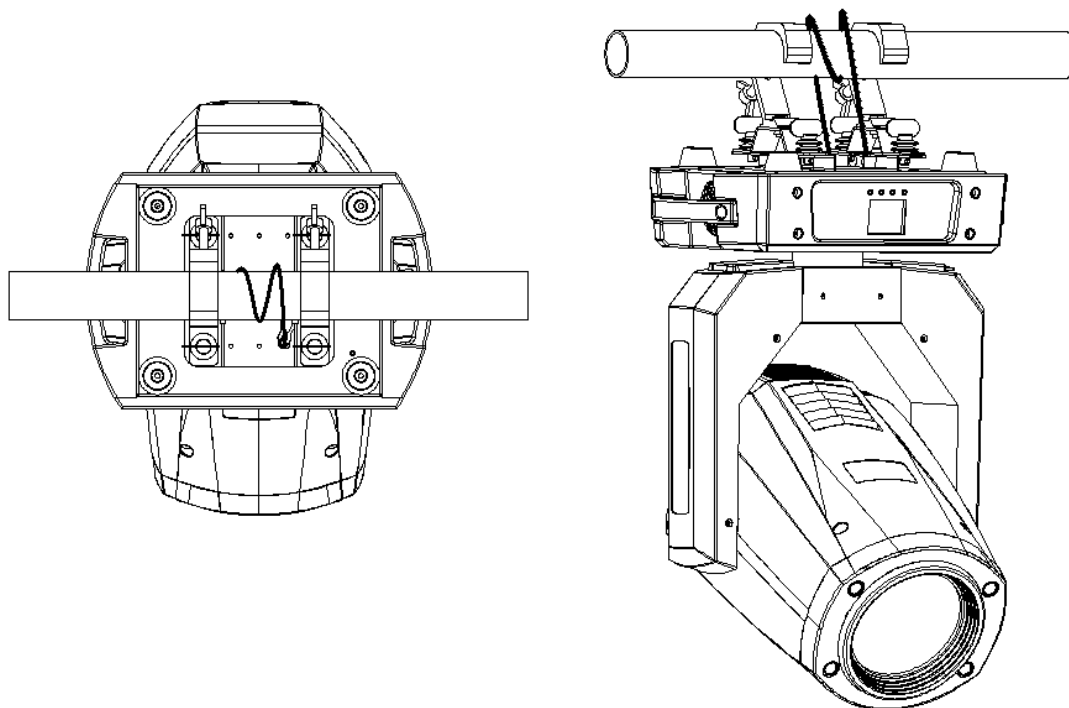
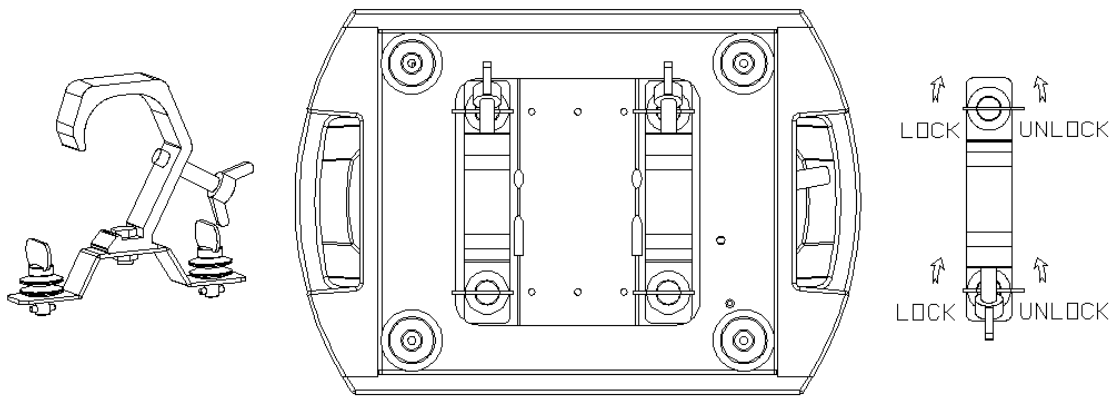


Never turn on the fixture before making sure the fixture is properly placed or hanged.

Cover the lens or void sunlight shoot directly on the lens when it is moving in day time.

Installation:





Hanging:



1. OMEGA bracket lamp installed on the hook and tightens the screws
2. The OMEGA bracket to lamp base, clockwise tightening fast lock
3. Lamps on each side of a person lift the fixture, the lamp poles and locking snap hook
4. The insurance rope through the base hole, and tied to a pole

Installation Notes:

1. Confirm hook hanging lamps and accessories undamaged and can withstand 10 times the total weight of the lamps and cables and accessories, etc.
2. Note that the lamp lighting the front direction of the bottom body portion of the base label
3. Installation, maintenance, and mobile lighting should have a stable platform, which should have a security fence just below.
4. The insurance rope through the rope hole lamp base, and tied to the lamp housing, shall not tied to the handle

5. Check the lamp housing do not have the range of combustible material within 0.2 meters, lamps light beam directed not to be blocked within 12 meters, and the neighborhood do not have flammable substances
6. Check the lamps are not likely to collide with each other at the time of exercise
7. Check other lamps are not directly irradiated on this fixture, a strong light can damage the protective shell lamps Always make sure when you put the installation being installed in a horizontal plane, so as not to slip occurs when the shell running lamps

Power Supply:

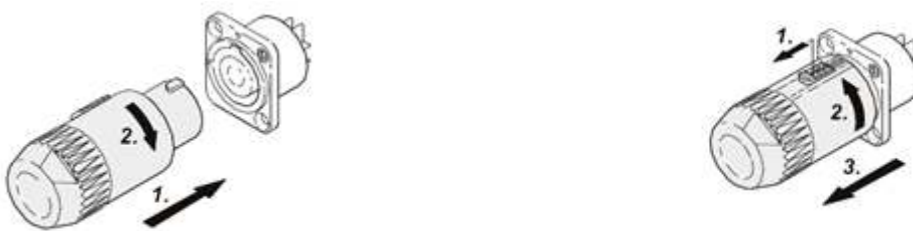
WARNING:	
	To prevent electric shock, lamp must be grounded, the main power circuit breaker must have insurance and switches and ground fault protection
	Please fixtures directly connected to an AC power source, not connected to the silicon box to prevent damage to the lamp

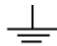
Power Input:

Lamps internal switching power supply with PFC power supply voltage AC100V-240V 50 / 60Hz

Power Connection:

Plug the power cord has been installed a lighting power connector with mating plug the other end should install an appropriate power plug, three-pin plug with grounding. Must follow the manufacturer's instructions to install. The following table shows some plug pin connector recommendations. If you are unsure or have questions, please consult a qualified electrician. To power, the power switch should pull to the position "I".

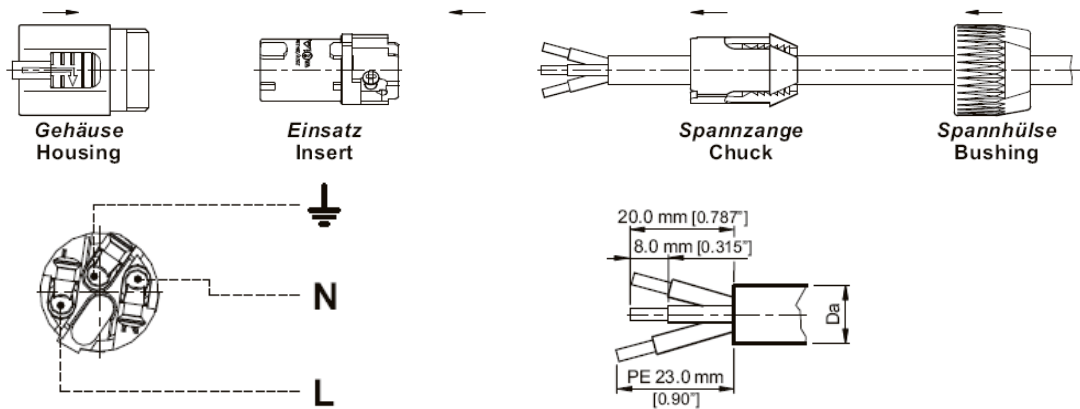


Cable color	Plug	Mark
Brown	FireWire	L
Blue	Zero wire	N
Yellow/Green	Ground wire	



When the power cord is scratched lines skin, the outer protective skin breakage or length is too short and should be replaced

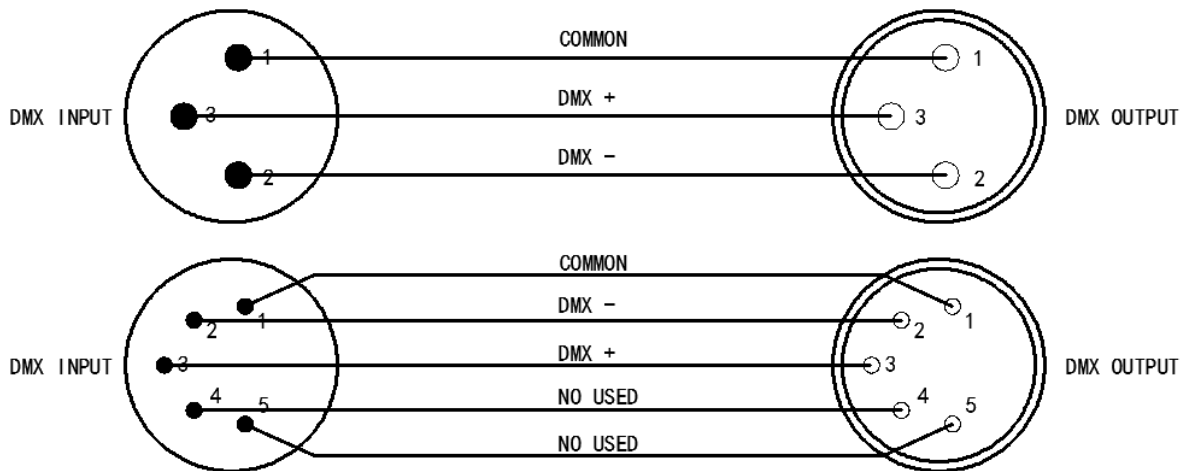
Replace wire



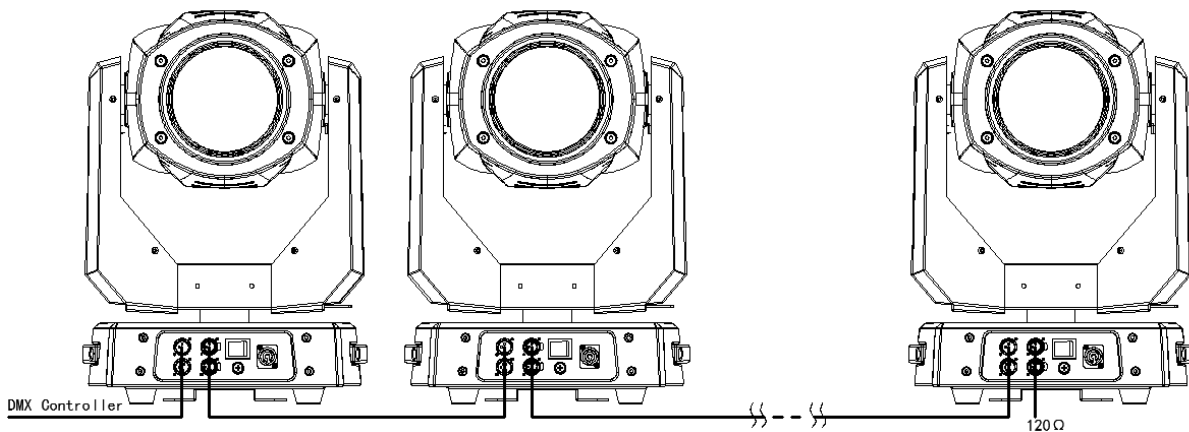
1. Remove the original power cord
2. Clipping about a 1 m long, 3*1.5 square specifications for cable
3. The size of the cable by stripping the figure above, through the plug end caps and fasteners
4. The core plug in the correct position in pressing on L- Brown N- blue - yellow / green
5. The plug assembled and tighten the end cap
6. Connect the other end of the power cord right with grounded three-prong plug connector

Signal Connection

Lighting by XLR plug XLR DMX input and output signals, defined as follow:



3 core and 5 core plug and socket adapter, 5-pin XLR pin 4 / Pin 5 is not used



Data Connection:

- 1 Connect a DMX signal cable from the controller to the lighting signal input port
- 2 Connect a DMX signal cable from the lamp signal output port to the next fixture
- 3 fixtures DMX signal line only series, for use in parallel signal distributor
- 4 In the last fixture between the signal output 2 feet and 3 feet of a termination resistor connected across

Reliability Tips:

- Use for RS-485 shielded twisted-pair design: standard microphone cable is not suitable for long-distance data transmission, cable transmission 24AGW the distance over 300 meters (1000 feet), while long-distance transmission lines to be thicker diameter cable, and preferably with a signal amplifier
- Branching drive (signal in parallel) need to use signal splitter
- Last fixture between the signal output terminal 2 feet and 3 feet spanning a 120 ohm quarter watt resistor, so to avoid interference signal reflection, empathy, such as the use of the dispenser, also need to take in their terminal on this resistance

Channel List

Channel	Channel Name	Value	Function
CH1	X axis	0-255	0-540°
CH2	Y axis	0-255	0-270°
CH3	X-axis fine adjustment	0-255	
CH4	Y-axis fine adjustment	0-255	
CH5	XY Speed	0-255	From fast to slow
CH6	Frost	0-127	
		128-255	Insert six colors
CH7	Strobe	0-3	Close
		4-103	Pulse strobe slow to fast
		104-107	Open
		108-207	Gradual strobe slow to fast
		208-212	Open
		213-251	Random strobe slow to fast
		252-255	Open
CH8	Dimmer	0-255	Dimmer 0-100%
CH9	Color	0-4	White
		5-9	White + Color1
		10-14	Color1
		15-19	Color1 + Color2
		20-24	Color2
		25-29	Color2 + Color3
		30-34	Color3
		35-39	Color3 + Color4
		40-44	Color4
		45-49	Color4 + Color5
		50-54	Color5
		55-59	Color5 + Color6
		60-64	Color6
		65-69	Color6 + Color7
		70-74	Color7
		75-79	Color7 + Color8
		80-84	Color8
		85-89	Color8 + Color9
		90-94	Color9
95-99	Color9 + Color10		
100-104	Color10		
105-109	Color10 + Color11		

		110-114	Color11
		115-119	Color11 + Color12
		120-124	Color12
		125-129	Color12 + Color13
		130-134	Color13
		135-139	Color13 + Color14
		140-144	Color14
		145-149	Color14 + White
		150-202	CW Scroll Fast--Slow
		203-255	CCW Scroll Slow--Fast
CH10	Gobo	0-4	White
		5-9	Gobo1
		10-14	Gobo2
		15-19	Gobo3
		20-24	Gobo4
		25-29	Gobo5
		30-34	Gobo6
		35-39	Gobo7
		40-44	Gobo8
		45-49	Gobo9
		50-54	Gobo10
		55-59	Gobo11
		60-64	Gobo12
		65-69	Gobo13
		70-125	CW Scroll Fast--Slow
		126-130	Stop
		131-190	CCW Scroll Slow--Fast
		191-195	Gobo1shake
		196-200	Gobo2shake
		201-205	Gobo3shake
		206-210	Gobo4shake
		211-215	Gobo5shake
		216-220	Gobo6shake
		221-225	Gobo7shake
		226-230	Gobo8shake
231-235	Gobo9shake		
236-240	Gobo10shake		
241-245	Gobo11shake		
246-250	Gobo12shake		
251-255	Gobo13shake		
CH11	Prism	0-63	
		64-127	Prism 1
		128-191	Prism 2

CH12	Prism 1 rotation	192-255	Prism 1 & prism 2
		0-127	0-400°
		128-187	CW Scroll Fast--Slow
		188-195	Stop
		196-255	CCW Scroll Slow--Fast
CH13	Prism 2 rotation	0-127	0-400°
		128-187	CW Scroll Fast--Slow
		188-195	Stop
		196-255	CCW Scroll Slow--Fast
CH14	Six Color	0-127	
		128-255	Insert six
CH15	Focus	0-255	Focus far--near
CH16	Reset/Lamp control	100-105	More than 3 seconds lamp off
		200-205	More than 3 seconds lamp on
		210-215	More than 3 seconds reset XY
		220-235	More than 3 seconds reset effect
		240-255	More than 3 seconds reset all

Maintenance cleaning

Lamps need daily cleaning. Time factor depends on the environment and cleaning cycles related to the following:

- Used with smoking machine, frog machine
- High rate of local wind speed (eg: air inlet and outlet)
- Dust(Such as stage effect)
- If one or more of the above factors, the lamp after 100 hours of operation or need to check the cleaning, and then periodically checked

Contact technician if any repairs are not mentioned here.



WARNING:

Before opening the lamp housing, disconnect the AC power and allow the lamp to cool completely

Be careful when cleaning optical components, and want a clean and bright place operations. Optical Coating fragile and easy to scratch the surface. You can not use solvents will damage plastic or colored surfaces

To maintain proper cooling, it is necessary to periodically dust on the fan and vents

➤ Clean Optical parts

1. Cut off power supply and cool the fixture completely. Open the cover shell.
2. Clean the dust with air compressor.
3. With tissue paper stained glass cleaner or pure water, wipe out stubborn stains. But can not scrape the surface should be rubbed gently repeat.
4. Cotton with alcohol to remove the soot debris. Also available glass cleaner, but use pure water to clean the residual. Slowly circle clean from the inside to the outside.
5. With a clean and soft cloth or air compressor to dry.

➤ Clean the fan and vents

With a soft brush, cotton, vacuum cleaner or an air compressor, fan and vents to remove dust.