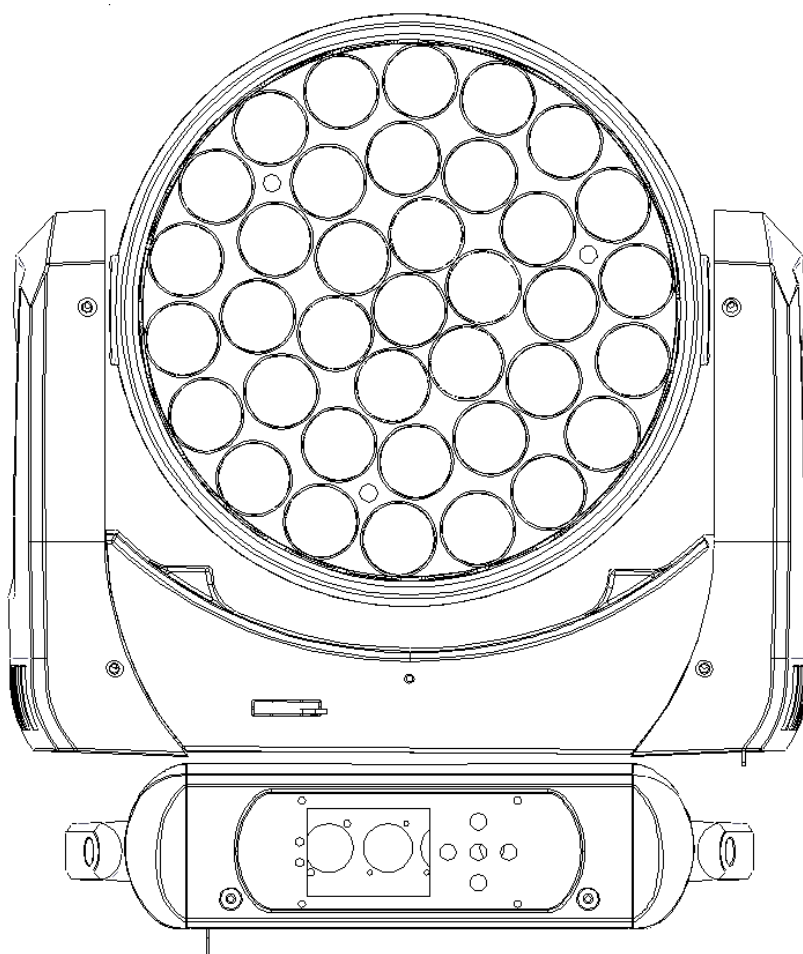


LED Moving Head

37pcs 15W RGBW 4-in-1 LED



CE F IP20 LED 0.2m t_a 40°C t_c 150°C

User Manual (V2.0)

KEEP THIS MANUAL FOR FUTURE NEEDS

1. Unpacking

Thank you for choosing our fixture. For your own safety, please read this manual before installing the device. This manual covers the important information on installation and applications. Please install and operate the fixture with following instructions. Meanwhile, please keep this manual well for future needs.

This fixture is made of a new type of high temperature strength of engineering plastics and cast aluminum casing with nice outlook. The fixture is designed and manufactured strictly following CE standards, complying with international standard DMX512 protocol. It's available independently controlled and linkable with each other for operation. And it is applicable for large-scale live performances, theater, studio, nightclubs and discos.

4-IN-1 LEDs(RGBW) which features high brightness and stability. Please carefully unpack it when you receive the fixture and check whether it is damaged during the transportation. And please check whether the following items are included inside the box:

LED Moving head----One

Power Cable----One

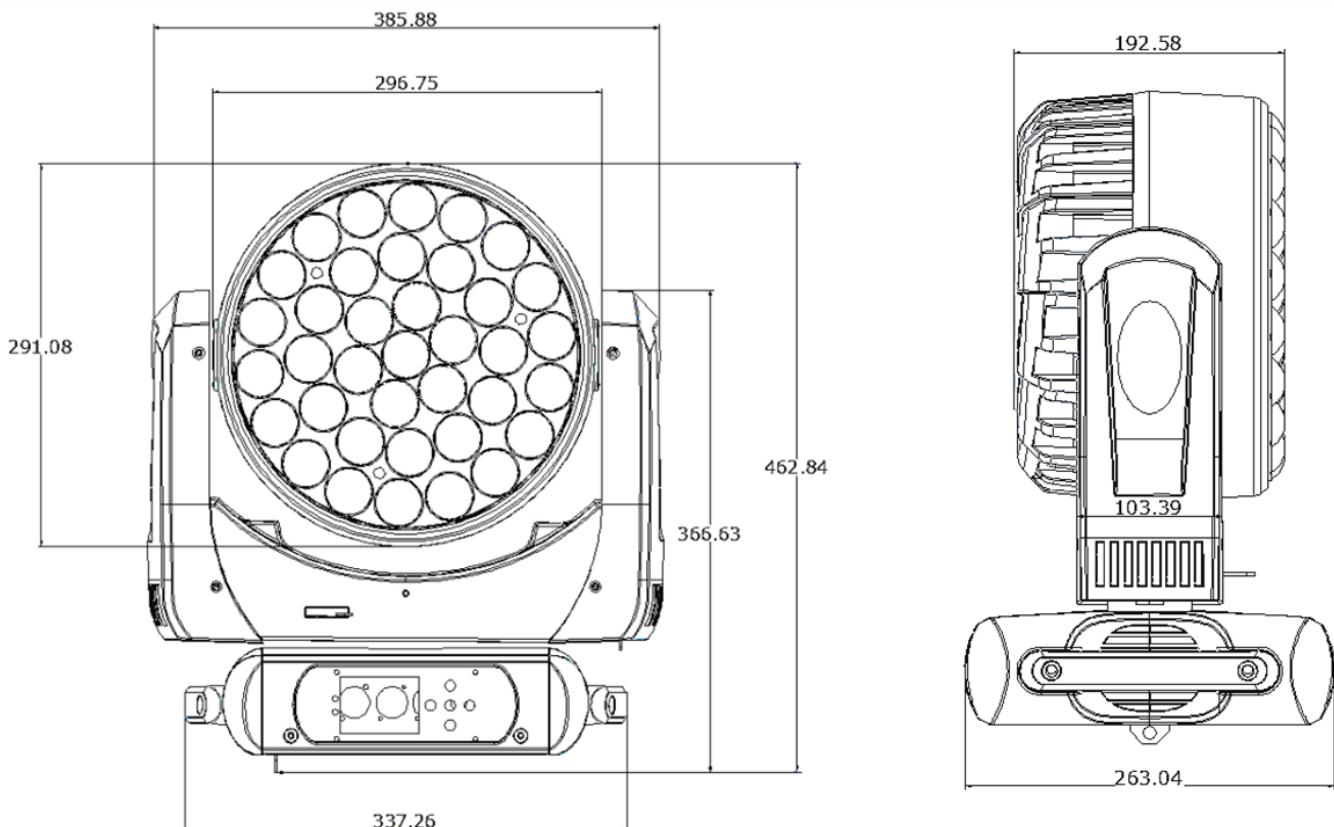
3-Pin Signal Cable----One

Safety Cable----one

Omega Branket----Two

User Manual----One

2. Fixture size



3. Safety Instructions



CAUTION!

Be careful with your operations. With a dangerous voltage you can suffer a dangerous electric shock when touching wires!

This device has left the factory in perfect condition. In order to maintain this condition and to ensure a safe operation, it is absolutely necessary for the user to follow the safety instructions and warning notes written in this user manual.



Important:

Damages caused by the disregard of this user manual are not subject to warranty. The dealer will not accept liability for any resulting defects or problems.

If the device has been exposed to temperature changes due to environmental changes, do not switch it on immediately. The arising condensation could damage the device. Leave the device switched off until it has reached room temperature.

This device falls under protection-class I. Therefore it is essential that the device be earthed.

The electric connection must carry out by qualified person.

The device shall only be used with rate voltage and frequency.

Make sure that the available voltage is not higher than stated at the end of this manual.

Make sure the power cord is never crimped or damaged by sharp edges. If this would be the case, replacement of the cable must be done by an authorized dealer.

Always disconnect from the mains, when the device is not in use or before cleaning it. Only handle the power cord by the plug. Never pull out the plug by tugging the power cord.

During initial start-up some smoke or smell may arise. This is a normal process and does not necessarily mean that the device is defective, it should decrease gradually.

Please don't project the beam onto combustible substances.

Fixtures cannot be installed on combustible substances, keep more than 50cm distance with wall for smooth air flow, so there should be no shelter for fans and ventilation for heat radiation.

If the external flexible cable or cord of this luminaire is damaged, it shall be exclusively replaced by the manufacturer or his service agent or a similar qualified person in order to avoid a hazard.

Don't use the fixture in RGBW full on for more than 10 minutes incase of high temperature damage the fixtures.

4. Operation Instructions

- The fixture is for wash effect for on-site decoration purpose.
- Don't turn on the fixture if it's been through severe temperature difference like after transportation because it might damage the light due to the environment changes. So make sure to operate the fixture until it is in normal temperature.
- This light should be keep away from strong shaking during any transportation or movement.
- Don't pull up the light by only the head, or it might cause damages to the mechanical parts.
- Don't expose the fixture in overheat, moisture or environment with too much dust when installing it. And don't lay any power cables on the floor. Or it might cause electronic shock to the people.
- Make sure the installation place is in good safety condition before installing the fixture.
- Make sure to put the safety chain and check whether the screws are screwed properly when installing the fixture.
- Make sure the lens are in good condition. It's recommended to replace the units if there are any damages or severe scratch.
- Make sure the fixture is operated by qualified personnel who knows the fixture before using.
- Keep the original packages if any second shipment is needed.
- Don't try to change the fixtures without any instruction by the manufacturer or the appointed repairing agencies.
- It is not in warranty range if there are any malfunctions from not following the user manual to operate or any illegal operation, like shock short circuit, electronic shock, lamp broke, etc.

5. Mounting and Installation

Cautions: For added protection mount the fixtures in areas outside walking paths, seating areas, or in areas were the fixture might be reached by unauthorized personnel.

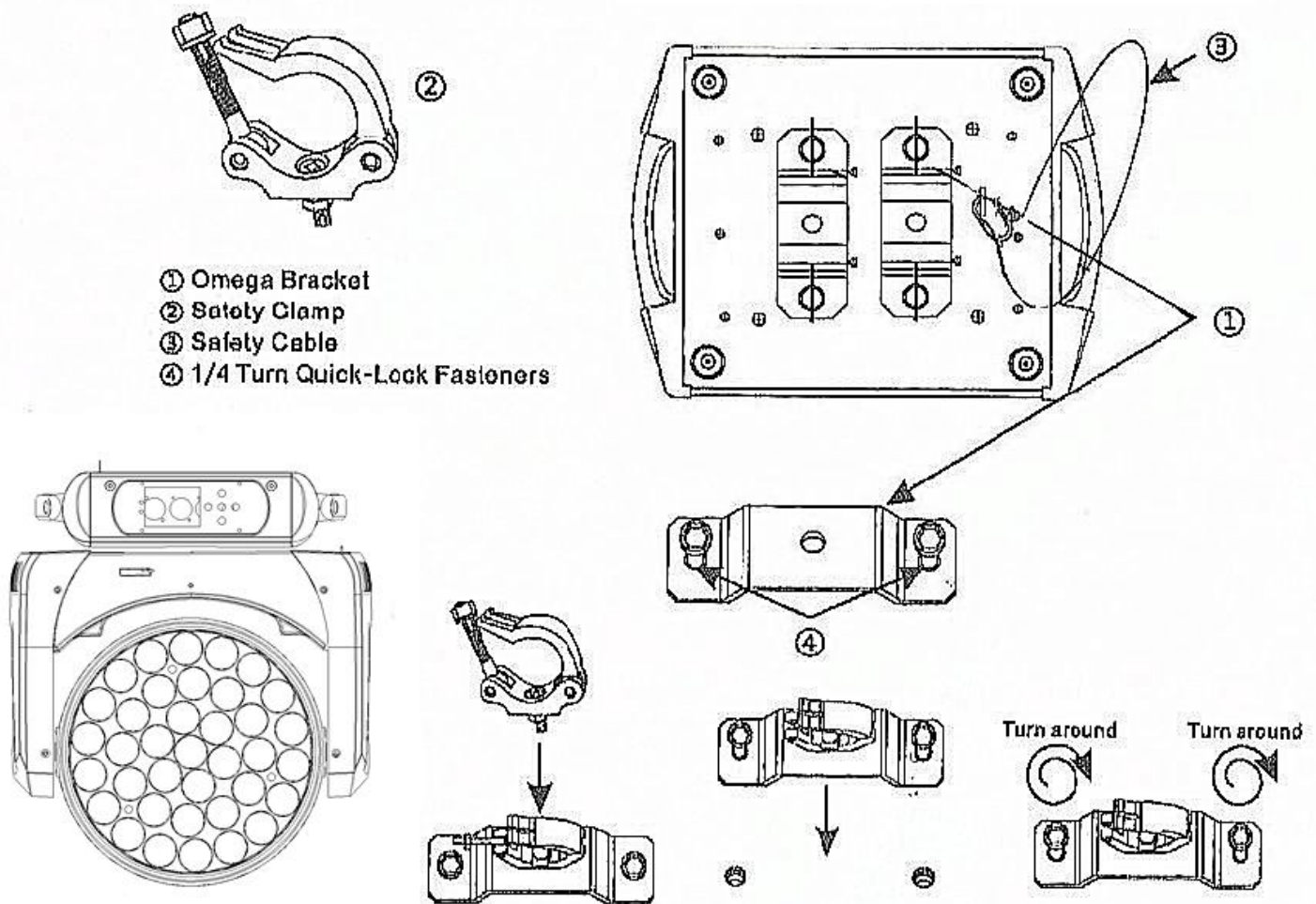
Before mounting the fixture to any surface, make sure that the installation area can hold a minimum point load of 10 times the device's weight.

Fixture installation must always be secured with a secondary safety attachment, such as an appropriate safety cable.

Never stand directly below the device when mounting, removing, or servicing the fixture from a periodic safety inspection of all installation material and the fixture. If you lack these qualifications, do not attempt the installation yourself. Improper installation can result in bodily injury.

Be sure to complete all rigging and installation procedures before connecting the main power cord to the appropriate wall outlet.

Clamp Mounting: The Zoom Wash provides a unique mounting bracket assembly that integrates the bottom of the base, and the safety cable rigging point in one unit (see the illustration below). When mounting this fixture to truss be sure to secure an appropriately rated clamp to the included omega bracket using a M10 screw fitted through the center hole of the "omega bracket". As an added safety measure be sure to attached at least one properly rated safety cable to the fixture using on of the safety cable rigging point integrated in the base assembly



Regardless of the rigging option you choose for your B eye par, always be sure to secure your fixture with a safety cable. The fixture provides a built-in rigging point for a safety cable on the hanging bracket as illustrated above. Be sure to only use the designated rigging point for the safety cable and never secure a safety cable to a carrying handle.

6. DMX-512 control connections

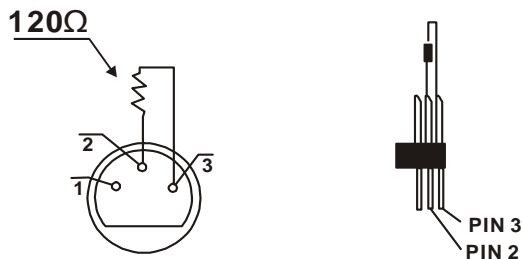
Connect the provided XLR cable to the female 3-pin XLR output of your controller and the other side to the male 3-pin XLR input of the moving head. (5-pin connect way is similar)

You can chain multiple Moving heads be connected together through serial linking. The cable needed should be two core, screened cable with XLR input and output connectors. Please refer to the diagram below.

DMX-512 connection with DMX terminator



For installations where the DMX cable has to run a long distance or is in an electrically noisy environment, such as in a discotheque, it is recommended to use a DMX terminator. This helps in preventing corruption of the digital control signal by electrical noise. The DMX terminator is simply an XLR plug with a 120 Ω resistor connected between pins 2 and 3, which is then plugged into the output XLR socket of the last fixture in the chain. Please see illustrations below.



7. DMX Channels

14CH

CH	Function	DMX Value	Details
1	Pan	0-255	Pan movement
2	Pan fine	0-255	Pan fine
3	Tilt	0-255	Tilt movement
4	Tilt fine	0-255	Tilt fine
5	Pan/Tilt speed	0-255	Pan/Tilt speed control
6	ZOOM	0-255	Zoom
7	Dimmer	0-255	0-100% linear dimmer
8	Strobe	0-84	Strobe from slow to fast
		85-169	Random strobe from slow to fast
		170-255	Thunder strobe from slow to fast
9	Red	0-255	Red 0-100% linear dimmer
10	Green	0-255	Green 0-100% linear dimmer
11	Blue	0-255	Blue 0-100% linear dimmer
12	White	0-255	White 0-100% linear dimmer
13	Macro function	0-9	No function
		10-99	Auto run 1
		100-199	Auto run 2
		200-255	Sound activated mode
14	Reset	0-239	No function
		240-250	Reset within 3 seconds
		251-255	No function

17CH

CH	Function	DMX Value	Details
1	Pan	0-255	Pan movement
2	Pan fine	0-255	Pan fine
3	Tilt	0-255	Tilt movement
4	Tilt fine	0-255	Tilt fine
5	Pan/Tilt speed	0-255	Pan/Tilt speed control
6	ZOOM	0-255	Zoom
7	Dimmer	0-255	0-100% linear dimmer
8	Strobe	0-84	Strobe from slow to fast
		85-169	Random strobe from slow to fast
		170-255	Thunder strobe from slow to fast
9	Red	0-255	Red 0-100% linear dimmer
10	Green	0-255	Green 0-100% linear dimmer
11	Blue	0-255	Blue 0-100% linear dimmer
12	White	0-255	White 0-100% linear dimmer
13	Macro function	0-9	No function
		10-99	Auto run 1
		100-199	Auto run 2
		200-255	Sound activated mode
14	Color Temperature	0-9	No function
		10-255	Color Temperature 2500K-10000K
15	Macro static effect	0-9	No function
		10-209	Every 10 DMX value is one kind of effects
		210-255	Static effect running effect from slow to fast
16	Macro dynamic effect	0-9	No function
		10-249	Every 12 DMX value is one kind of effects
		250-255	Dynamic effect running effect from slow to fast
17	Reset	0-239	No function
		240-250	Reset within 3 seconds
		251-255	No function

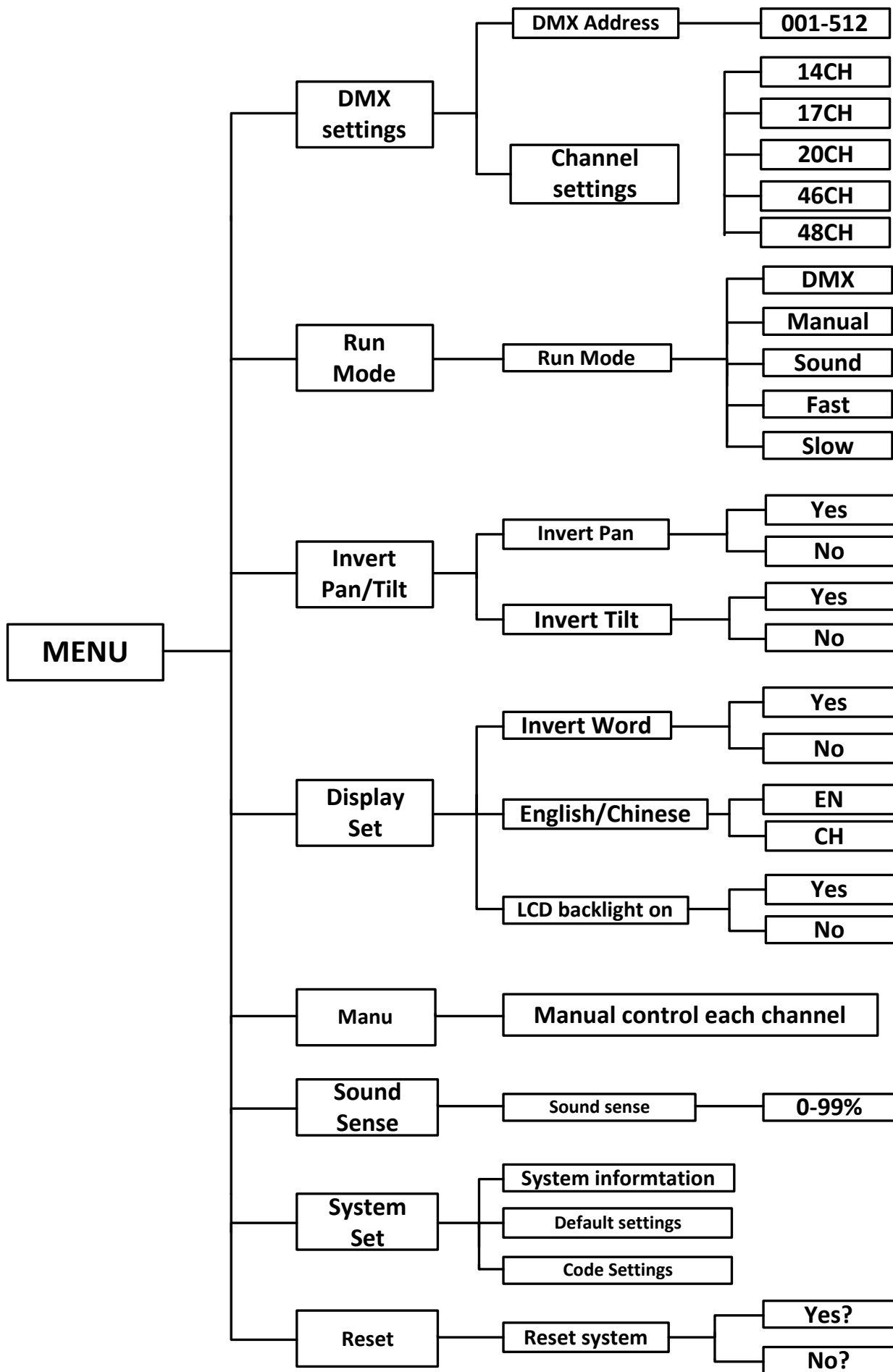
20CH

CH	Function	DMX Value	Details
1	Pan	0-255	Pan movement
2	Pan fine	0-255	Pan fine
3	Tilt	0-255	Tilt movement
4	Tilt fine	0-255	Tilt fine
5	Pan/Tilt speed	0-255	Pan/Tilt speed control
6	ZOOM	0-255	Zoom
7	Dimmer	0-255	0-100% linear dimmer
8	Strobe	0-84	Strobe from slow to fast
		85-169	Random strobe from slow to fast
		170-255	Thunder strobe from slow to fast
9	Red	0-255	Red 0-100% linear dimmer
10	Green	0-255	Green 0-100% linear dimmer
11	Blue	0-255	Blue 0-100% linear dimmer
12	White	0-255	White 0-100% linear dimmer
13	Color Temperature	0-9	No function
		10-255	Color Temperature 2500K-10000K
14	Macro color	0-9	No function
		10-209	Every 10 DMX value is one kind of macro color
		210-224	Macro color jump change effect
		225-239	Macro color pulse change effect
		240-255	Macro color gradually change effect
15	Macro static effect	0-9	No function
		10-209	Every 10 DMX value is one kind of effects
		210-255	Static effect running effect from slow to fast
16	Macro dynamic effect	0-9	No function
		10-249	Every 12 DMX value is one kind of effects
		250-255	Dynamic effect running effect from slow to fast
17	Backcolor	0-255	Backcolor effects
18	Effect speed	0-255	Dynamic effect speed from fast to slow
19	Macro function	0-9	No function
		10-99	Auto run 1
		100-199	Auto run 2
		200-255	Sound activated mode
20	Reset	0-239	No function
		240-250	Reset within 3 seconds
		251-255	No function

CH	Function	DMX Value	Details
1	Pan	0-255	Pan movement
2	Pan fine	0-255	Pan fine
3	Tilt	0-255	Tilt movement
4	Tilt fine	0-255	Tilt fine
5	Pan/Tilt speed	0-255	Pan/Tilt speed control
6	ZOOM	0-255	Zoom
7	Dimmer	0-255	0-100% linear dimmer
8	Strobe	0-84	Strobe from slow to fast
		85-169	Random strobe from slow to fast
		170-255	Thunder strobe from slow to fast
9	Red 1	0-255	Area 1 Red 0-100% linear dimmer
10	Green 1	0-255	Area 1 Green 0-100% linear dimmer
11	Blue 1	0-255	Area 1 Blue 0-100% linear dimmer
12	White 1	0-255	Area 1 White 0-100% linear dimmer
13	Red 2	0-255	Area 2 Red 0-100% linear dimmer
14	Green 2	0-255	Area 2 Green 0-100% linear dimmer
15	Blue 2	0-255	Area 2 Blue 0-100% linear dimmer
16	White 2	0-255	Area 2 White 0-100% linear dimmer
17	Red 3	0-255	Area 3 Red 0-100% linear dimmer
18	Green 3	0-255	Area 3 Green 0-100% linear dimmer
19	Blue 3	0-255	Area 3 Blue 0-100% linear dimmer
20	White 3	0-255	Area 3 White 0-100% linear dimmer
21	Red 4	0-255	Area 4 Red 0-100% linear dimmer
22	Green 4	0-255	Area 4 Green 0-100% linear dimmer
23	Blue 4	0-255	Area 4 Blue 0-100% linear dimmer
24	White 4	0-255	Area 4 White 0-100% linear dimmer
25	Macro function	0-9	No function
		10-99	Auto run 1
		100-199	Auto run 2
		200-255	Sound activated mode
26	Reset	0-239	No function
		240-250	Reset within 3 seconds
		251-255	No function

CH	Function	DMX Value	Details	
1	Pan	0-255	Pan movement	
2	Pan fine	0-255	Pan fine	
3	Tilt	0-255	Tilt movement	
4	Tilt fine	0-255	Tilt fine	
5	Pan/Tilt speed	0-255	Pan/Tilt speed control	
6	ZOOM	0-255	Zoom	
7	Dimmer	0-255	0-100% linear dimmer	
8	Strobe	0-84	Strobe from slow to fast	
		85-169	Random strobe from slow to fast	
		170-255	Thunder strobe from slow to fast	
9	Red 1	0-255	Area 1 Red 0-100% linear dimmer	
10	Green 1	0-255	Area 1 Green 0-100% linear dimmer	
11	Blue 1	0-255	Area 1 Blue 0-100% linear dimmer	
12	White 1	0-255	Area 1 White 0-100% linear dimmer	
●	●	●	●	
●	●	●	●	
●	●	●	●	
●	●	●	●	
33	Red 7	0-255	Area 7 Red 0-100% linear dimmer	
34	Green 7	0-255	Area 7 Green 0-100% linear dimmer	
35	Blue 7	0-255	Area 7 Blue 0-100% linear dimmer	
36	White 7	0-255	Area 7 White 0-100% linear dimmer	
37	Color Temperature	0-9	No function	
		10-255	Color Temperature 2500K-10000K	
38	Macro color	0-9	No function	
		10-209	Every 10 DMX value is one kind of macro color	
		210-224	Macro color jump change effect	
		225-239	Macro color pulse change effect	
		240-255	Macro color gradually change effect	
39	Macro static effect	0-9	No function	
		10-209	Every 10 DMX value is one kind of effects	
		210-255	Static effect running effect from slow to fast	
40	Macro dynamic effect	0-9	No function	
		10-249	Every 12 DMX value is one kind of effects	
		250-255	Dynamic effect running effect from slow to fast	
41	Backcolor Red	0-255	Backcolor red dimmer	Please operate with 40CH together
42	Backcolor Green	0-255	Backcolor green dimmer	
43	Backcolor Blue	0-255	Backcolor blue dimmer	
44	Backcolor White	0-255	Backcolor white dimmer	
45	Effect direction	0-127	Effect in positive direction	
		128-255	Effect in reverse direction	
46	Effect speed	0-255	Dynamic effect speed from fast to slow	
47	Macro function	0-9	No function	
		10-99	Auto run 1	
		100-199	Auto run 2	
		200-255	Sound activated mode	
48	Reset	0-239	No function	
		240-250	Reset within 3 seconds	
		251-255	No function	

8. Display instruction



9. Key Features

Voltage: AC90-240V 50-60HZ

Max Power: 600 w

Source: 37pcs 15w high brightness RGBW 4-in-1 leds

Dimmer: 0-100% linear dimming system

Strobe: 1-25 times/second

Pan:540°with 16 bit fine

Tilt:270° with 16 bit fine

Zoom: 5-60°Smooth zoom system

LED working lifetime: Average 50,000 hours with low power consumption

Channel: 14/17/20/26/48 totally five DMX channel mode

Control: DMX512/master-slave/auto/sound

Color: RGBW infinite mixture

Display: LCD display

Fixture size: 386 mm*423 mm*263 mm

N.W: 13.2 kg

Protection: Auto temperature control system with big cooling fan, advanced cooling system

Special point:

1. With LED dimmer, scan position memory and auto reposition .
2. Built-in programs with macro effect.
3. 37pcs LED with 7 areas controllable effect to bring more amazing effect.
4. With 3 phase motor on pan and tilt to make fast movement.

10. Maintenance and Cleaning

The following points have to be considered during the inspection:

1. All screws for installing the devices or parts of the device have to be tightly connected and must not be corroded.
2. There must not be any deformations on the housing, color lenses, fixations and installation spots (ceiling, suspension, trussing).
3. Mechanically moved parts must not show any traces of wearing and must not rotate with unbalances.
4. The electric power supply cables must not show any damage, material fatigue or sediments.

Further instructions depending on the installation spot and usage have to be adhered by a skilled installer and any safety problems have to be removed.



CAUTION!

Disconnect from mains before starting maintenance operation.

In order to make the lights in good condition and extend the life time, we suggest a regular cleaning to the lights.

- 1) Clean the inside and outside lens each week to avoid the weakness of the lights due to accumulation of dust.
- 2) Clean the fan each week.
- 3) A detailed electric check by approved electrical engineer each three month, make sure that the circuit contacts are in good condition, prevent the poor contact of circuit from overheating.

We recommend a frequent cleaning of the device. Please use a moist, lint- free cloth. Never use alcohol or solvents. There are no serviceable parts inside the device. Please refer to the instructions under "Installation instructions". Should you need any spare parts, please order genuine parts from your local dealer