


AOLAIT

300W Led Profile



CE RoHS  IP20

User manual

Please read the instructions carefully before use

1. Safety Information



CAUTION

Be careful with your operations. With a dangerous voltage you can suffer a dangerous electric shock when touching wires!

This device has left the factory in perfect condition. In order to maintain this condition and to ensure a safe operation, it is absolutely necessary for the user to follow the safety instructions and warning notes written in this user manual.



IMPORTANT

Damages caused by the disregard of this user manual are not subject to warranty. The dealer will not accept liability for any resulting defects or problems.

If the device has been exposed to temperature changes due to environmental changes, do not switch it on immediately. The arising condensation could damage the device.

Leave the device switched off until it has reached room temperature.

This device falls under protection-class I. Therefore it is essential that the device be earthed.

The electric connection must carry out by qualified person. The device shall only be used with rate voltage and frequency.

Make sure that the available voltage is not higher than stated at the end of this manual.

Make sure the power cord is never crimped or damaged by sharp edges. If this would be the case, replacement of the cable must be done by an authorized dealer.

Always disconnect from the mains, when the device is not in use or before cleaning it. Only handle the power cord by the plug. Never pull out the plug by tugging the power cord.

During initial start-up some smoke or smell may arise. This is a normal process and does not necessarily mean that the device is defective, it should decrease gradually.

Please don't project the beam onto combustible substances.

Fixtures cannot be installed on combustible substances, keep more than 50cm distance with wall for smooth air flow, so there should be no shelter for fans and ventilation for heat radiation.

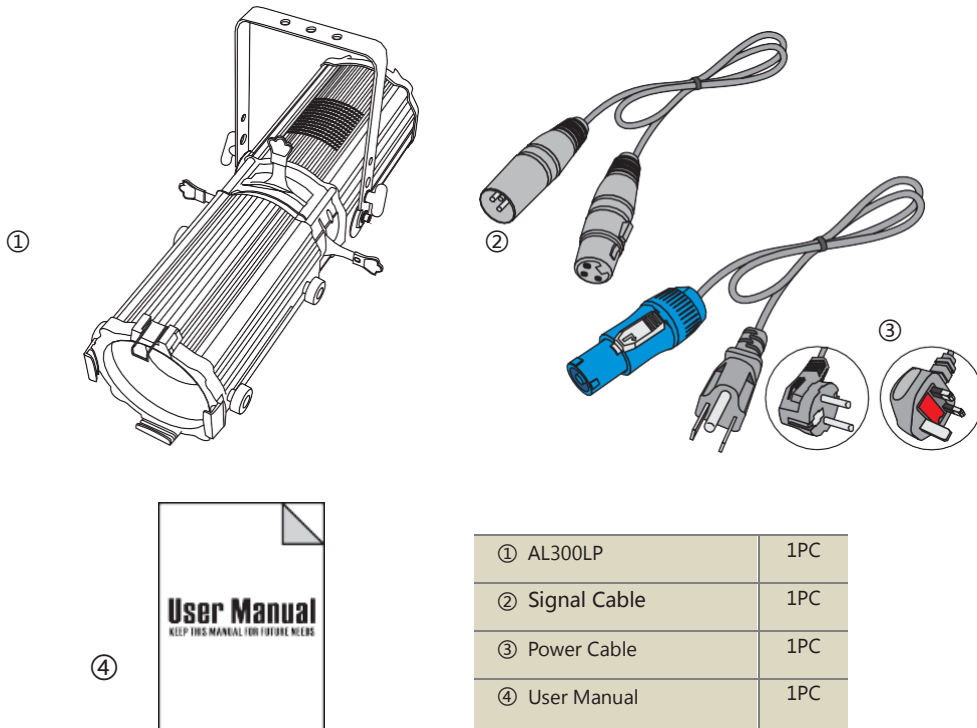
If the external flexible cable or cord of this luminaire is damaged, it shall be exclusively replaced by the manufacturer or his service agent or a similar qualified person in order to avoid a hazard.

2. Unpacking

Thank you for choosing our AL300LP. For your own safety, please read this manual before installing the device. This manual covers the important information on installation and applications. Please install and operate the fixture with following instructions. Meanwhile, please keep this manual well for future needs.

The AL300LP is made of a new type of high temperature strength of cast aluminum casing with nice outlook. The fixture is designed and manufactured strictly following CE standards, complying with international standard DMX512 protocol. It's available independently controlled and linkable with each other for operation. And it is applicable for large-scale live performances, theater, studio, nightclubs and discos.

The AL300LP adopts 1PCS NICHIA 300W (available for WW) which features high brightness and stability. Please carefully unpack it when you receive the fixture and check whether it is damaged during the transportation. And please check whether the following items are included inside the box:



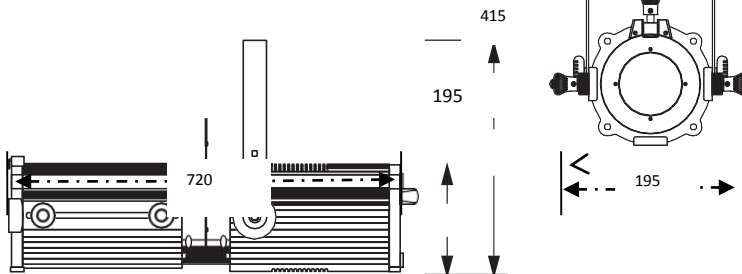
① AL300LP	1PC
② Signal Cable	1PC
③ Power Cable	1PC
④ User Manual	1PC

3. Features & Specifications

Voltage: AC100-240V 50/60HZ
Power: 350W
Light Source: NICHIA 300W
Lifespan: 50000 Hours
Color Temperature: 3200K/5600K
Color Rendering Index (CRI): Ra≥95
Zoom angle: 12°-36 °
Dimming: 16bit linear dimming, four dimming curve selection
Control mode: Standard DMX 512/master-slave/auto
DMX Channels: 1/3 Channels
Body color: Black
Shell: Cast aluminum
Cooling System: Powerful fan
IP Grade: IP20

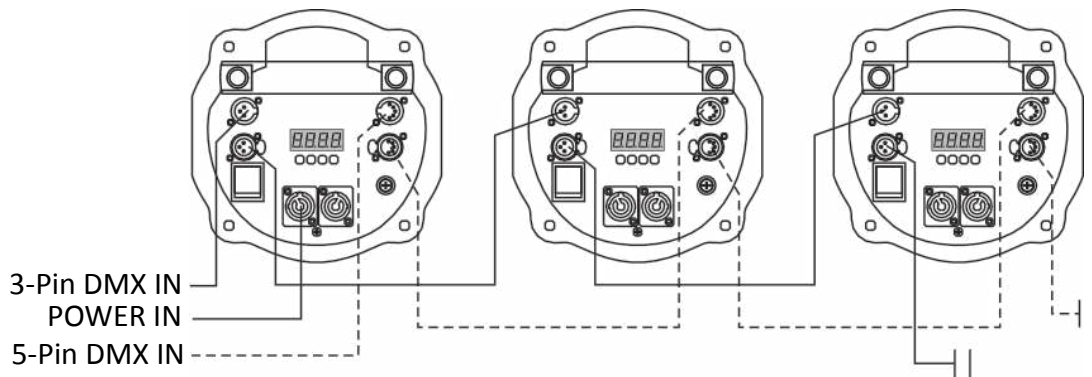
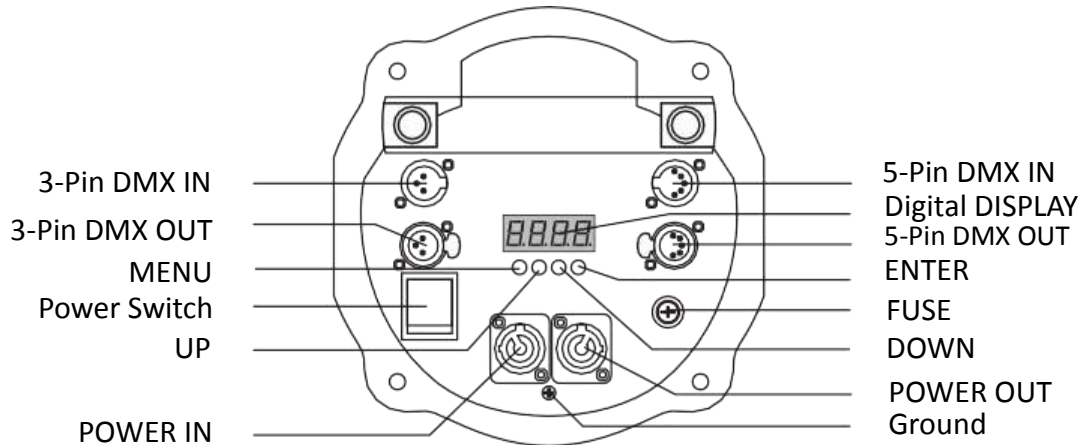
Specifications

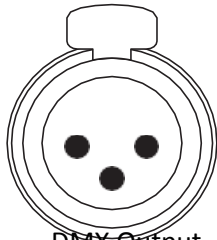
Voltage: AC10-240V 50/60Hz
Dimensions: 195(D)*720(W)*415(H)mm
Packing size: 332(D)*832(W)*345(H)mm
Net Weight: 10.2kg
Gross Weight: 12.2kg



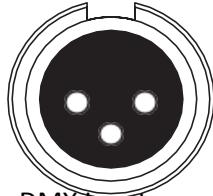
4. DMX512 Control Connections

Connect the provided XLR cable to the female 3-pin XLR output of your controller and the other side to the male 3-pin XLR input of the moving head. You can chain multiple Moving head together through serial linking. The cable needed should be two core, screened cable with XLR input and output connectors. Please refer to the diagram below.
DMX-512 connection with DMX terminator



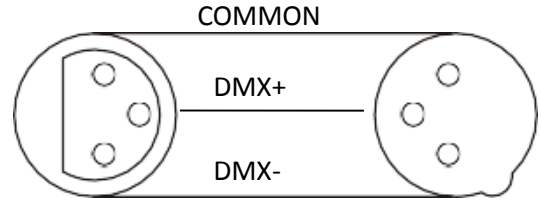


DMX Output
3-Pin XLR Socket



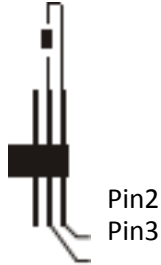
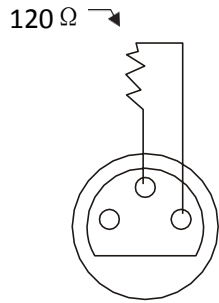
DMX Input
3-Pin XLR Socket

- 1:Ground
- 2:Data(-)
- 3:Data(+)



DMX 512 OUT
3-PIN XRL

DMX 512 IN
3-PIN XRL



For installations where the DMX cable has to run a long distance or is in an electrically noisy environment, such as in a discotheque, it is recommended to use a DMX terminator. This helps in preventing corruption of the digital control signal by electrical noise. The DMX terminator is simply an XLR plug with a 120 Ω resistor connected between pins 2 and 3, which is then plugged into the output XLR socket of the last fixture in the chain. Please see illustrations below.

5. Menu Operations

5.1. Key operation

A.00 1 (1~512)

d.00 1 (1~512)

SEAE → **r.255** (0~255)

→ **SE.00** (0~20)

EEOP → **0**

→ **E.080** (40~120)

d,SP

rEST

Menu :

The first list is the main menu (press MENU to exchange), the second list is submenu (press ENTER to get in or exchange)

If the menu include the decimal point, that's the data, and it can be set by the Key of Up/Down.

Key operation :

Key of "MENU" (Press it and can save the data)

If it's the main menu, it will exchange to next main menu.

If it's the submenu, it will back to main menu.

Key of "ENTER" (Press it and can save the data)

If it's the main menu and it have submenu, it will enter the submenu.

If it's the submenu, it will exchange to the next submenu

Key of "UP/DOWN"

It's no function if the menu not include the decimal point.

If the menu include the decimal point, it can set the data after the decimal point. And it need to press "ENTER" to save the data.

5.2.Menu Data

Menu		State	Operation		Remark	
Main Menu	Vice Menu					
A.001	No vice menu	A: advance	UP/DOWN	adjust ID adress	disconnect the controller and connect the master light, then it will follow the master light. It will flicker if no signal.	
		External control mode (standard channel model)	ENTER	save the ID address		
d.001	No vice menu	d: dmx	UP/DOWN	adjust ID address		
		External control mode (Basic channel model)	ENTER	Save the ID address		
5tAt	two vice menu	StAt: static	ENTER	enter vice menu		
		Static model				
	r.255		C: Color	UP/DOWN		change value of color
			Set the color	ENTER		save the data change to the vice menu
	5t.00		St: strobe	UP/DOWN		change value of strobe
			strobe and its speed	ENTER		save and exchange
tEMP	two vice menu	tEMP: temperature	ENTER	enter the vice menu		
		temperature control				
	0		current temperature	ENTER		change to vice menu
	t.080		t: top	UP/DOWN		change the data of temperature protect
			set the protect temperature	ENTER		save and change
d,SP	No vice menu	diSP: display	ENTER	reverse the display		
		set to show reverse display				
rEst	No vice menu	rEst: reset	ENTER	enter the interface of key	the password is “UP DOWN UP DOWN”	
		return Initial State				

6. DMX Channels

3 CH Mode

Channel	Function	Value	Description
1	Dimmer	0-255	Dimmer
2	Delay time	0-10	Default delay of dimmer
		11-15	No dimmer
		16-255	Choose delay of dimmer (16 is the shortest delay time, increase gradually.... 255 is the longest delay time)
3	Strobe	0-10	No strobe
		11-255	Speed of strobe (255 is fastest)

1 CH Mode

Channel	Function	Value	Description
1	Dimmer	0-255	Dimmer

7. Operation Instructions

- The AL300LP is an LED wash light for on-site decoration purpose.
- Don't turn on the fixture if it's been through severe temperature difference like after transportation because it might damage the light due to the environment changes. So make sure to operate the fixture until it is in normal temperature.
- This light should be keep away from strong shaking during any transportation or movement.
- Don't pull up the light by only the head, or it might cause damages to the mechanical parts.
- Don't expose the fixture in overheat, moisture or environment with too much dust when installing it. And don't lay any power cables on the floor. Or it might cause electronic shock to the people.
- Make sure the installation place is in good safety condition before installing the fixture.
- Make sure to put the safety chain and check whether the screws are screwed properly when installing the fixture.
- Make sure the lens are in good condition. It's recommended to replace the units if there are any damages or severe scratch.
- Make sure the fixture is operated by qualified personnel who knows the fixture before using.
- Keep the original packages if any second shipment is needed.
- Don't try to change the fixtures without any instruction by the manufacturer or the appointed repairing agencies.
- It is not in warranty range if there are any malfunctions from not following the user manual to operate or any illegal operation, like shock short circuit, electronic shock, lamp broke, etc.

8. Installations

For added protection mount the fixtures in areas outside walking paths, seating areas, or in areas where the fixture might be reached by unauthorized personnel.

Before mounting the fixture to any surface, make sure that the installation area can hold a minimum point load of 10 times the device's weight.

Fixture installation must always be secured with a secondary safety attachment, such as an appropriate safety cable.

Never stand directly below the device when mounting, removing, or servicing the fixture.

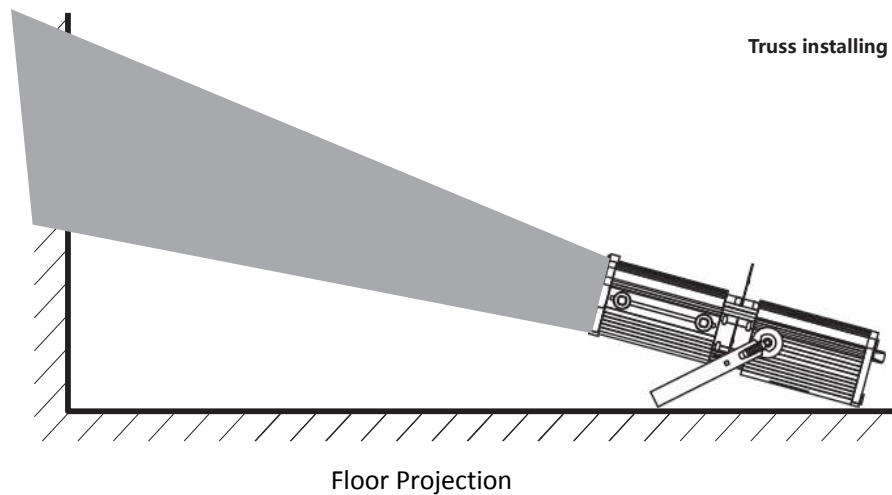
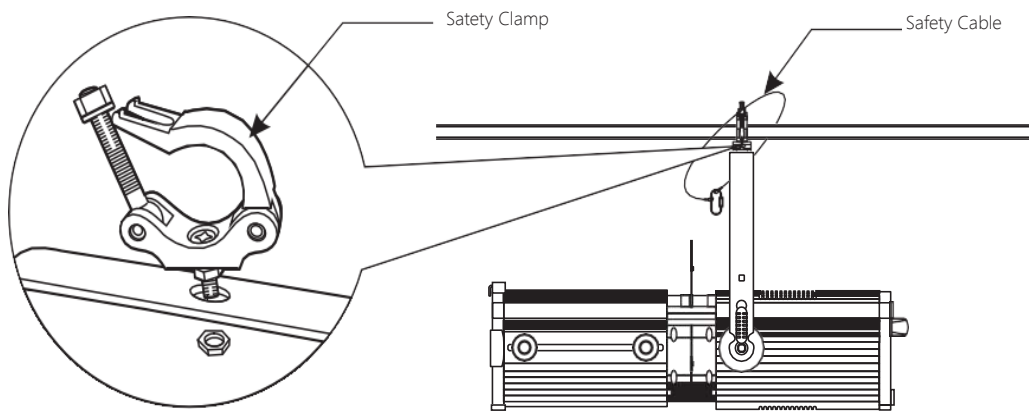
From a ceiling, or set on a flat level surface (see illustration below). Be sure this fixture is kept at least 0.5m (1.5 ft) away from any flammable materials (decoration etc.).

Please ensure that the led profile spotlight is hung using the appropriate "C" clamp or half cheeseboro. A safety chain or cable should also be used as a secondary point of holding the fixture in case the clamp comes loose. Never hang the fixture without a safety chain or cable. There is an eye-bolt on the back of the fixture to which the safety chain or cable can threaded through and then hung from the secondary point. Make sure the Gel frame (Gel holder) is clipped into position correctly and cannot come loose.

If you are not qualified or have any doubts about hanging the led profile spotlight then do NOT hang it.

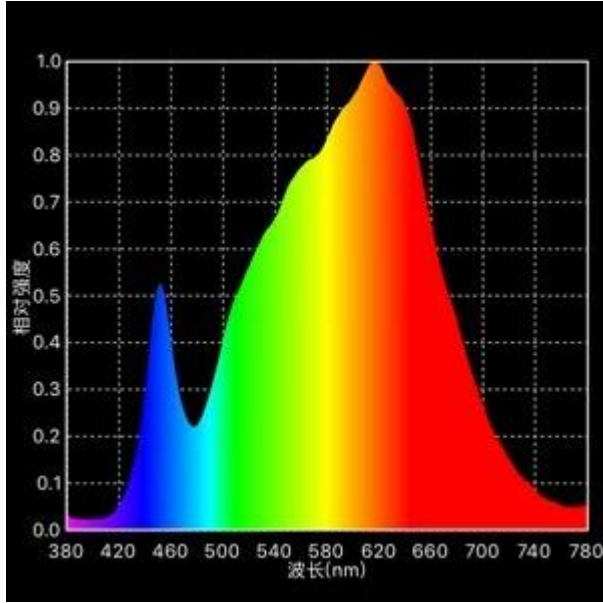
Do not clamp the safety cable to the U bracket or clamp. That is not a secondary safety point. A secondary safety point is any point that will adequately hold the led profile spotlight if the "C" clamp or half cheeseboro fails.

Then the safety cable would be the backup and stop the fixture from falling to the ground. So do NOT fix the safety cable to the same place that the "C" clamp is attached

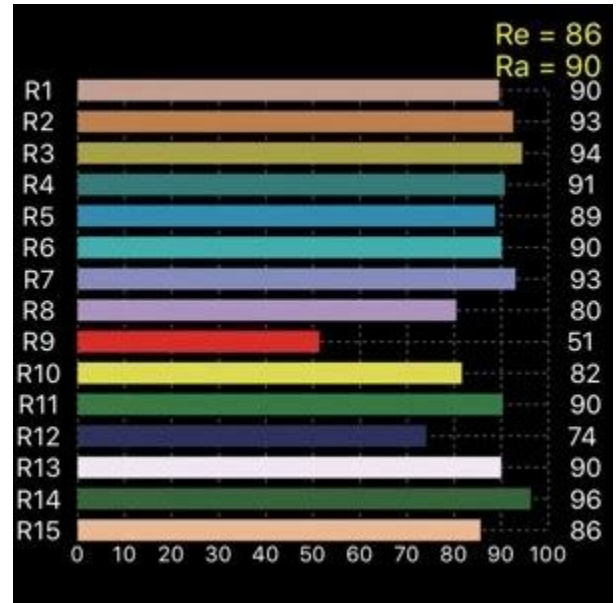


9. Photographic Chart

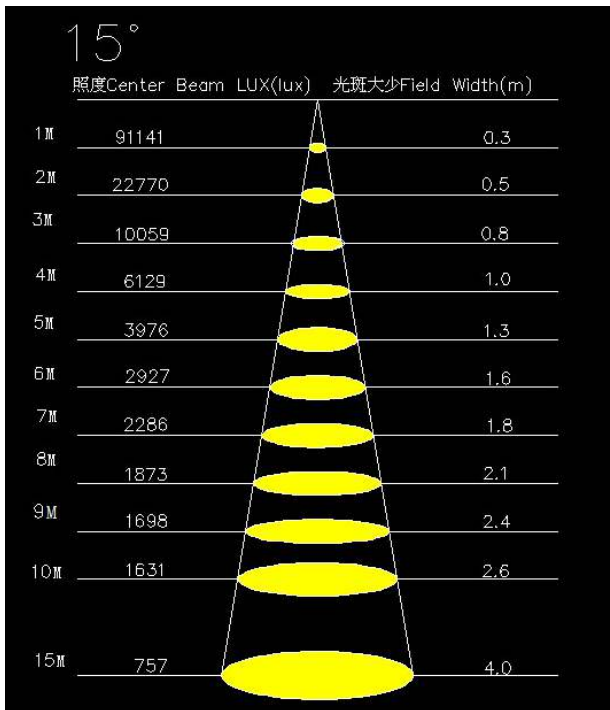
Spectrogram



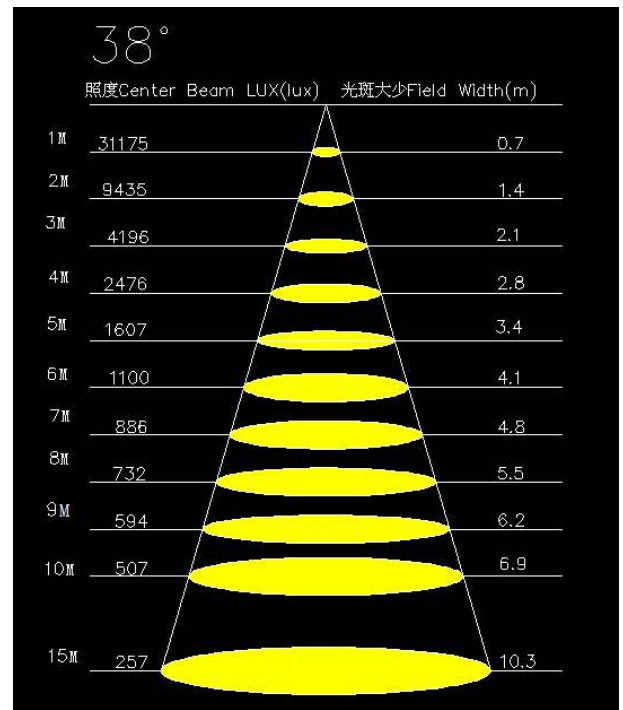
CRI



Lumen of 15 degree



Lumen of 38 degree



10. Cleaning and maintenance

Now ignoring maintenance and cleaning is very good way of creating problems "down the road" and many companies and installations do just that. However the net result is, no matter what the fixture, premature failure!

Changing the oil in a car, most people do on a regular basis.

So with the fixtures, regular maintenance it an excellent practice, if you want the fixtures to last.

So what is the maintenance for the fixture?

Clean the fans!

Turn off the led profile spotlight.

Using a small vacuum cleaner, suck the dust and "fur balls" out.

Do not use a can of co². That will just blast the dust and dirt everywhere!

The fans keep the LED cool and keep the electronics cool too.

Without the fan working efficiently and dust free, the fixtures will fail and that will be a lot more costly than having someone vacuum the fixtures on a regular basis.

How often should the fans be cleaned? It depends on where the fixtures are; in a very dusty atmosphere once a week. So

check the fans on a regular basis, they may not need cleaned every week but a quick "visual inspection" should be done.

The front lens should be cleaned so the light output is maintained.

The shutter blades sometimes require cleaning as well.

With the led profile spotlight turned off, use only a moist lint-free cloth. Never use alcohol or solvents to clean the fixture.

Never spray anything onto the fixture at the front or in any place on the fixture.