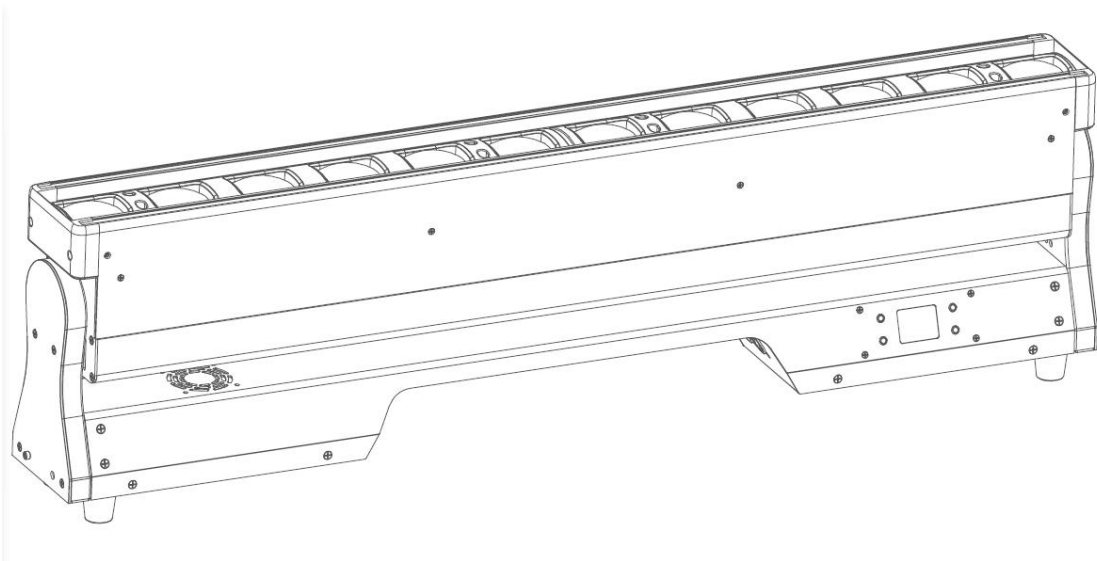


CE

LED Pixel Zoom Strobe bar moving head light

12pcs 40W RGBW 4-in-1 LED



CE F IP20 LED $\text{---}0.2\text{m}$ $t_a 40^\circ\text{C}$ $t_c 150^\circ\text{C}$

**User Manual KEEP THIS MANUAL
FOR FUTURE NEEDS**

1. Unpacking

Thank you for choosing our fixture. For your own safety, please read this manual before installing the device. This manual covers the important information on installation and applications. Please install and operate the fixture with following instructions. Meanwhile, please keep this manual well for future needs.

This fixture is made of a new type of high temperature strength of engineering plastics and cast aluminum casing with nice outlook. The fixture is designed and manufactured strictly following CE standards, complying with international standard DMX512 protocol. It's available independently controlled and linkable with each other for operation. And it is applicable for large-scale live performances, theater, studio, nightclubs and discos.

4-IN-1 LEDs(RGBW) which features high brightness and stability. Please carefully unpack it when you receive the fixture and check whether it is damaged during the transportation. And please check whether the following items are included inside the box:

Moving Head-----One

Signal Cable----One

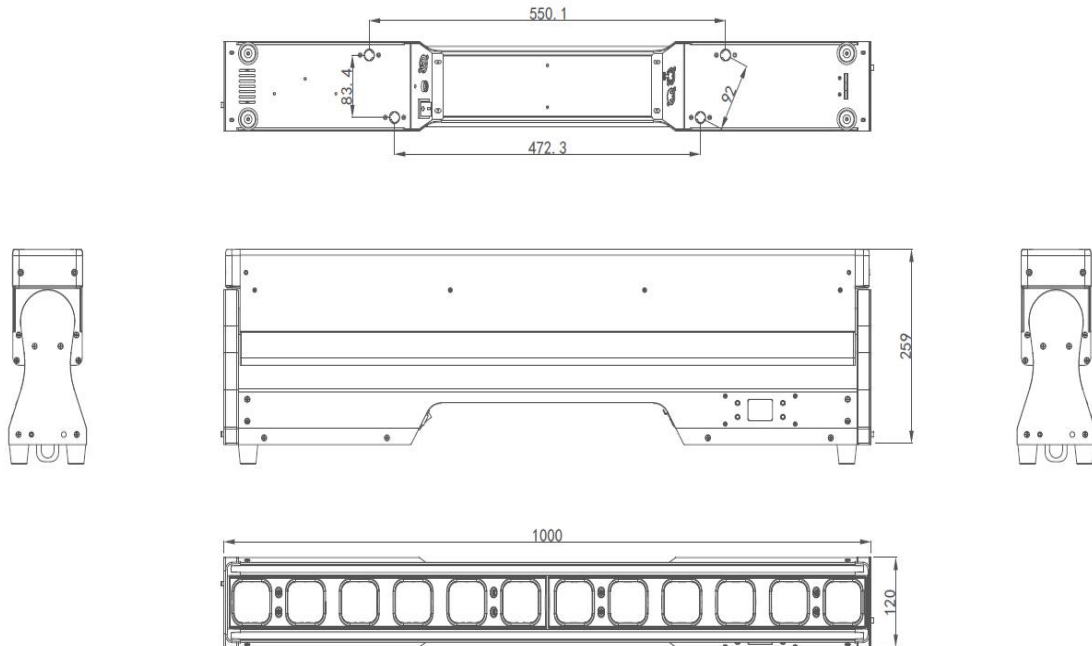
Hanging Bracket-----Two

Power Cable----One

Safety Cable-----one

User Manual----One

2. Product Introduction



3. Safety Instructions



CAUTION!

Be careful with your operations. With a dangerous voltage you can suffer a dangerous electric shock when touching wires!

This device has left the factory in perfect condition. In order to maintain this condition and to ensure a safe operation, it is absolutely necessary for the user to follow the safety instructions and warning notes written in this user manual.



Important:

Damages caused by the disregard of this user manual are not subject to warranty. The dealer will not accept liability for any resulting defects or problems.

If the device has been exposed to temperature changes due to environmental changes, do not switch it on immediately. The arising condensation could damage the device. Leave the device switched off until it has reached room temperature.

This device falls under protection-class I. Therefore it is essential that the device be earthed.

The electric connection must carry out by qualified person.

The device shall only be used with rate voltage and frequency.

Make sure that the available voltage is not higher than stated at the end of this manual.

Make sure the power cord is never crimped or damaged by sharp edges. If this would be the case, replacement of the cable must be done by an authorized dealer.

Always disconnect from the mains, when the device is not in use or before cleaning it. Only handle the power cord by the plug. Never pull out the plug by tugging the power cord.

During initial start-up some smoke or smell may arise. This is a normal process and does not necessarily mean that the device is defective, it should decrease gradually.

Please don't project the beam onto combustible substances.

Fixtures cannot be installed on combustible substances, keep more than 50cm distance with wall for smooth air flow, so there should be no shelter for fans and ventilation for heat radiation.

If the external flexible cable or cord of this luminaire is damaged, it shall be exclusively replaced by the manufacturer or his service agent or a similar qualified person in order to avoid a hazard.

4. Operation Instructions

-This light is for wash effect for on-site decoration purpose.

-Don't turn on the fixture if it's been through severe temperature difference like after transportation because it might damage the

light due to the environment changes. So make sure to operate the fixture until it is in normal temperature.

-This light should be keep away from strong shaking during any transportation or movement.

-Don't pull up the light by only the head, or it might cause damages to the mechanical parts.

-Don't expose the fixture in overheat, moisture or environment with too much dust when installing it. And don't lay any power cables on the floor. Or it might cause electronic shock to the people.

-Make sure the installation place is in good safety condition before installing the fixture.

-Make sure to put the safety chain and check whether the screws are screwed properly when installing the fixture.

-Make sure the lens are in good condition. It's recommended to replace the units if there are any damages or severe scratch.

-Make sure the fixture is operated by qualified personnel who knows the fixture before using.

-Keep the original packages if any second shipment is needed.

-Don't try to change the fixtures without any instruction by the manufacturer or the appointed repairing agencies.

-It is not in warranty range if there are any malfunctions from not following the user manual to operate or any illegal operation, like shock short circuit, electronic shock, lamp broke, etc.

5. Mounting and Installation

Cautions: For added protection mount the fixtures in areas outside walking paths, seating areas, or in areas where the fixture might be reached by unauthorized personnel.

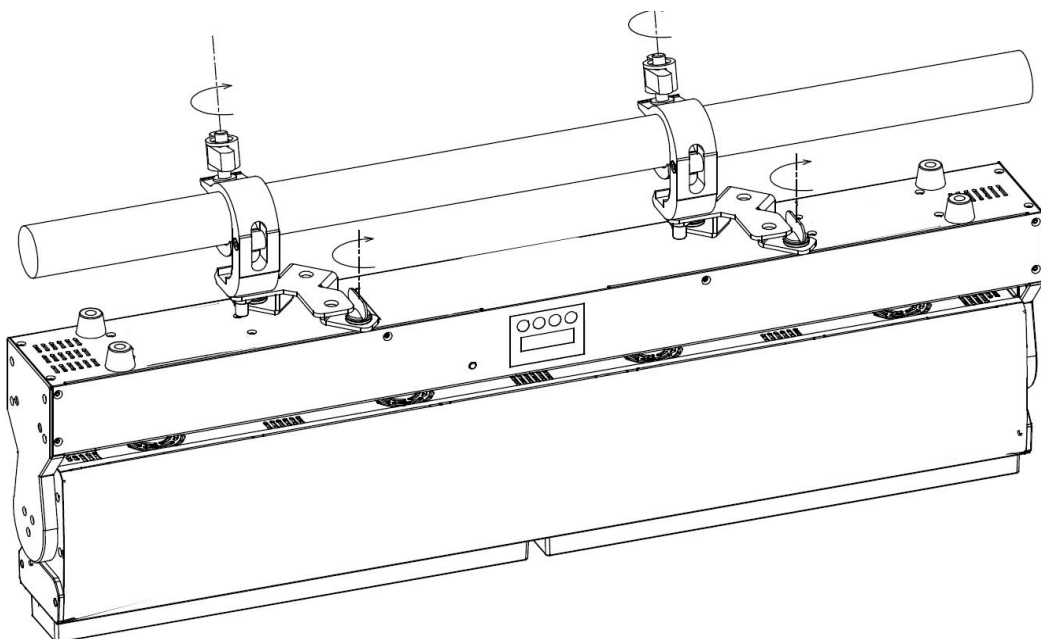
Before mounting the fixture to any surface, make sure that the installation area can hold a minimum point load of 10 times the device's weight.

Fixture installation must always be secured with a secondary safety attachment, such as an appropriate safety cable.

Never stand directly below the device when mounting, removing, or servicing the fixture from a periodic safety inspection of all installation material and the fixture. If you lack these qualifications, do not attempt the installation yourself. Improper installation can result in bodily injury.

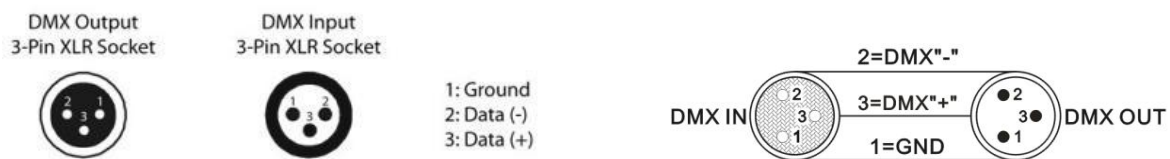
Be sure to complete all rigging and installation procedures before connecting the main power cord to the appropriate wall outlet.

Clamp Mounting: The product provides a unique mounting bracket assembly that integrates the bottom of the base, the included "Omega Bracket," and the safety cable rigging point in one unit (see the illustration below). When mounting this fixture to truss be sure to secure an appropriately rated clamp to the included omega bracket using a M10 screw fitted through the center hole of the "omega bracket". As an added safety measure, be sure to attached at least one properly rated safety cable to the fixture using one of the safety cable rigging points integrated in the base assembly.



Regardless of the rigging option you choose for your LED pixel Zoom par, always be sure to secure your fixture with a safety cable. The fixture provides a built-in rigging point for a safety cable on the hanging bracket as illustrated above. Be sure to only use the designated rigging point for the safety cable and never secure a safety cable to a carrying handle.

6. DMX-512 control connections Connect the provided XLR cable to the female 3-pin XLR output of your controller and the other side to the male 3-pin XLR input of the moving head. (5-pin connect way is similar) You can chain multiple Moving heads be connected together through serial linking. The cable needed should be two core, screened cable with XLR input and output connectors. Please refer to the diagram below. DMX-512 connection with DMX



For installations where the DMX cable has to run a long distance or is in an electrically noisy environment, such as in a discotheque, it is recommended to use a DMX terminator. This helps in preventing corruption of the digital control signal by electrical noise. The DMX terminator is simply an XLR plug with a 120 Ω resistor connected between pins 2 and 3, which is then plugged into the output XLR socket of the last fixture in the chain. Please see illustrations below.

7. Display instruction

Main Menu	DMX Set up	DMX Address	001-512	
		Channel Mode	27CH/30CH/67CH	
	Personality	Tilt Inverse	Yes/No	
		Tilt Feedback	ON/OFF	
		Dimmer Curve	Square Law	
			Inv-Curve	
			S-Curve	
			Linear	
		Dimmer Speed	Auto/Fast/Slow	
		No Data Mode	Backout/Hold/Auto	
		Fan Mode	Regulate	
			Theater	
			Full	
		M/S Mode	Slave/Master	
		Display	Display Rotate	
	Display Intensity		001-100	
	Temperature Unit			
	Language		English/中文	
	Motor Reset	All		
		Tilt	Yes/No	
		Effect	Yes/No	
	Fixture Test	Test All		
		Test effect	Tilt/Zoom1/Zoom2/Dimmer/Strobe/Red/Green/Blue/White/Effect Dimmer/Effect strobe/Effect Red/Effect Green/Effect Blue/Effect White/Strobe/Red/Green/Blue/White/CTO/Color macro/Shape	
	DMX Live	Tilt/Tilt Fine/Tilt speed/Zoom/Zoom1/All Dimmer/Dimmer/DimmerF/Shape speed/Shape Fade/Color BK.		
	Auto			
	Manual	Manual control of each channel		
	Service	000-999		
	Information	Power on time		
		LED Hours		
		SW Version	IU:V06	
			ZU:V05	
			3U:V05	
		RDM UID		
Temperatures				

8. DMX Channels

27CH

CH	Function	DMX Value	Details
1	Tilt	0-255	Tilt
2	Tilt Fine	0-255	Tilt Fine
3	Zoom	0-255	Angle linear adjustment
4	Dimmer	0-255	0-100% dimmer
5	Strobe	0-7	No function (Light off)
		8--15	Open(LED on)
		16-131	Strobe from slow to fast
		132-139	Open(LED on)
		140-181	Open the fast turnover slowly from slow to fast
		182-189	Open(LED on)
		190-231	Hurry up and slow, from slow to fast
		232-239	Open(LED on)
		240-247	Random strobe from slow to fast
248-255	Open(LED on)		
6	NULL	0-255	No function Reserved channel
7	Effect Strobe	0-7	No function (Light off)
		8--15	Open(LED on)
		16-131	Strobe from slow to fast
		132-139	Open(LED on)
		140-181	Open the fast turnover slowly from slow to fast
		182-189	Open(LED on)
		190-231	Hurry up and slow, from slow to fast
		232-239	Open(LED on)
		240-247	Random strobe from slow to fast
248-255	Open(LED on)		
8	Reset	0-139	No function
		140-149	Tilt reset
		150-179	Zoom reset
		180-199	No function
		200-209	All motor reset
		210-255	No function
9	Red	0-255	Red 0-100%
10	Green	0-255	Green 0-100%
11	Blue	0-255	Blue 0-100%
12	White	0-255	White 0-100%
13	CTO	0-255	Linear color temperature adjustment
14	Color	0-7	No function
		8--15	Color1
		16-23	Color 2
	
		240-247	Color30
		248-255	Color 31
15	Shape	0-7	No function
		8--15	Effect 1

		16-23	Effect 2
		24-31	Effect 3
	
		232-239	Effect 29
		240-247	Effect 30
		248-255	Effect 31
16	Shape Speed	0-127	From slow to fast (no lighting effect)
		128-255	From slow to fast (fading effect)
17	NULL	0-255	Reserved channel
18	NULL	0-255	Reserved channel
19	NULL	0-255	Reserved channel
20	NULL	0-255	Reserved channel
21	NULL	0-255	Reserved channel
22	Effect Red	0-255	Effect Red 0-100%
23	Effect Green	0-255	Effect Green 0-100%
24	Effect Blue	0-255	Effect Blue 0-100%
25	Effect color	0-7	No function
		8--15	Color 1
		16-23	Color 2
	
		240-247	Color 30
		248-255	Color 31
26	Effect Shape	0-7	No function
		8--15	Effect 1
		16-23	Effect 2
	
		176-183	Effect 22
		184-255	Effect 23
27	Effect Shape Speed	0-127	From slow to fast (no lighting effect)
		128-255	From slow to fast (fading effect)

30CH

CH	Function	DMX Value	Details
1	Tilt	0-255	Tilt
2	Tilt Fine	0-255	Tilt fine
3	Tilt Speed	0-255	Tilt speed from fast to slow
4	Zoom	0-255	Angle linear adjustment
5	Zoom1	0-255	Angle linear adjustment
6	Zoom2	0-255	Angle linear adjustment
7	All Dimmer	0-255	00-100% dimmer
8	Dimmer	0-255	0-100% dimmer
9	Dimmer Fine	0-255	0-100% dimmer
10	Strobe	0-63	No function (Light off)
		64-95	Strobe from slow to fast
		96-127	No function (light on)
		128-159	Pulse-effect in sequences
		160-191	No function (light on)

		192-223	Random strobe from slow to fast
		224-255	No function (light on)
11	Red	0-255	0-100% RED
12	Green	0-255	0-100% GREEN
13	Blue	0-255	0-100% BLUE
14	White	0-255	0-100% WHITE
15	CTO	0-255	Linear color temperature adjustment
16	Color Macro	0-10	No function
		11--19	Color1
		20-29	Color2
	
		180-189	Color18
		190-199	Color19
		200-255	Dynamic color from slow to fast
17	Shape	0-15	No function
		16-19	Static effect 1
		20-23	Static effect 2
	
		120-123	Static effect 27
		124-127	Static effect 28
		128-130	Effect 1
		131-133	Effect 2
	
		242-244	Effect 39
		245-255	Effect 40
18	Shape Speed	0-124	Positive speed from fast to slow
		125-130	Stop
		131-255	Reverse speed from slow to fast
19	Shape Fade	0-255	Main light effect gradient
20	Color Background	0-255	Main light background color
21	Effect Dimmer	0-255	0-100%
22	Effect Strobe	0-63	No function (Open)
		64-95	Strobe from slow to fast
		96-127	No function (Open)
		128-159	Frequent pulse strobe from slow to fast
		160-191	No function (Open)
		192-223	Random strobe
		224-255	No function (Open)
23	Effect Red	0-255	0-100% red
24	Effect Green	0-255	0-100% green
25	Effect Blue	0-255	0-100% blue
26	Effect Shape	0-10	No function
		11--20	Effect 1
		21-30	Effect 2
	
		221-230	Effect 22
		231-255	Effect 23
27	Effect Shape Speed	0-124	Positive speed from fast to slow
		125-130	Stop

		131-255	Reverse speed from slow to fast
28	Effect Shape Fade	0-255	Effect Shape Fade
29	Effect Color Bk.	0-255	Effect Color background
30	Reset	0-10	No function
		11-20	All motor reset
		21-30	Tilt reset
		31-40	Zoom reset
		41-255	No function

67CH

CH	Function	DMX Value	Details
1	Tilt	0-255	Tilt
2	Tilt Fine	0-255	Tilt fine
3	Tilt Speed	0-255	Tilt speed from fast to slow
4	Zoom1	0-255	Angle linear adjustment
5	Zoom2	0-255	Angle linear adjustment
6	All Dimmer	0-255	00-100% dimmer
7	Dimmer	0-255	0-100% dimmer
8	Dimmer Fine	0-255	0-100% dimmer
9	Strobe	0-63	No function(Light on)
		64-95	Strobe from slow to fast
		96-127	No function(Light on)
		128-159	Pulse-effect in sequences
		160-191	No function(Light on)
		192-223	Random strobe from slow to fast
		224-255	No function
10	Red 1	0-255	0-100% RED1
11	Green1	0-255	0-100% GREEN1
12	Blue 1	0-255	0-100% BLUE1
13	White 1	0-255	0-100% WHITE1
...
54	Red 12	0-255	0-100% RED12
55	Green12	0-255	0-100% GREEN12
56	Blue 12	0-255	0-100% BLUE12
57	White 12	0-255	0-100% WHITE12
58	Effect	0-255	0-100%
59	Effect Strobe	0-63	No function(Open)
		64-95	Strobe from slow to fast
		96-127	No function (Open)
		128-159	Frequent pulse strobe from slow to fast
		160-191	No function (Open)
		192-223	Random strobe
		224-255	No function (Open)
60	Effect Red	0-255	0-100% red
61	Effect Green	0-255	0-100% green
62	Effect Blue	0-255	0-100% blue
63	Effect Shape	0-10	No function

		11--20	Effect 1
		21-30	Effect 2
	
		221-230	Effect 22
		231-255	Effect 23
64	Effect Shape Speed	0-124	Positive speed from fast to slow
		125-130	Stop
		131-255	Reverse speed from slow to fast
65	Effect Shape Fade	0-255	Effect Shape Fade
66	Effect Color Background	0-255	Effect Color background
67	Reset	0-10	No function
		11--20	All motor reset
		21-30	Tilt reset
		31-40	Zoom reset
		41-255	No function

9. Key Features

Voltage: AC110-240V 50/60Hz

Max Power: 560 W

Source: 12pcs 40W RGBW 4in1 LED

164*0.5w RGB 3in1 LED

Beam degree: 3°-30°

Tilt: 220 degree+ fine

LED Lifetime: Average 50,000 hours

Led: pixel control Strobe: 25 times per second

Dimmer:0-100% linear dimmer

Channel: 27/30/67 three channel mode Control mode:

DMX-512,Auto-run, Sound activated

Cooling system: fan forced cooling system Working environment:

indoor Net weight: 14.8 KG

Fixture size: 100*16.5*22.5 cm

Package size: 106*18*36 cm

Gross weight: 17 KG

Flight Case Size:119*61*50cm (2pcs/case) G.W:90 kg

10. Maintenance and Cleaning

The following points have to be considered during the inspection:

1. All screws for installing the devices or parts of the device have to be tightly connected and must not be corroded.
2. There must not be any deformations on the housing, color lenses, fixations and installation spots (ceiling, suspension, trussing).
3. Mechanically moved parts must not show any traces of wearing and must not rotate with unbalances.
4. The electric power supply cables must not show any damage, material fatigue or sediments.

Further instructions depending on the installation spot and usage have to be adhered by a skilled installer and any safety problems have to be removed.



CAUTION!

Disconnect from mains before starting maintenance operation.

In order to make the lights in good condition and extend the life time, we suggest a regular cleaning to the lights.

- 1) Clean the inside and outside lens each week to avoid the weakness of the lights due to accumulation of dust.
- 2) Clean the fan each week.
- 3) A detailed electric check by approved electrical engineer each three month, make sure that the circuit contacts are in good condition, prevent the poor contact of circuit from overheating.

We recommend a frequent cleaning of the device. Please use a moist, lint- free cloth. Never use alcohol or solvents.

There are no serviceable parts inside the device. Please refer to the instructions under “Installation instructions”. Should you need any spare parts, please order genuine parts from your local dealer