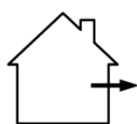
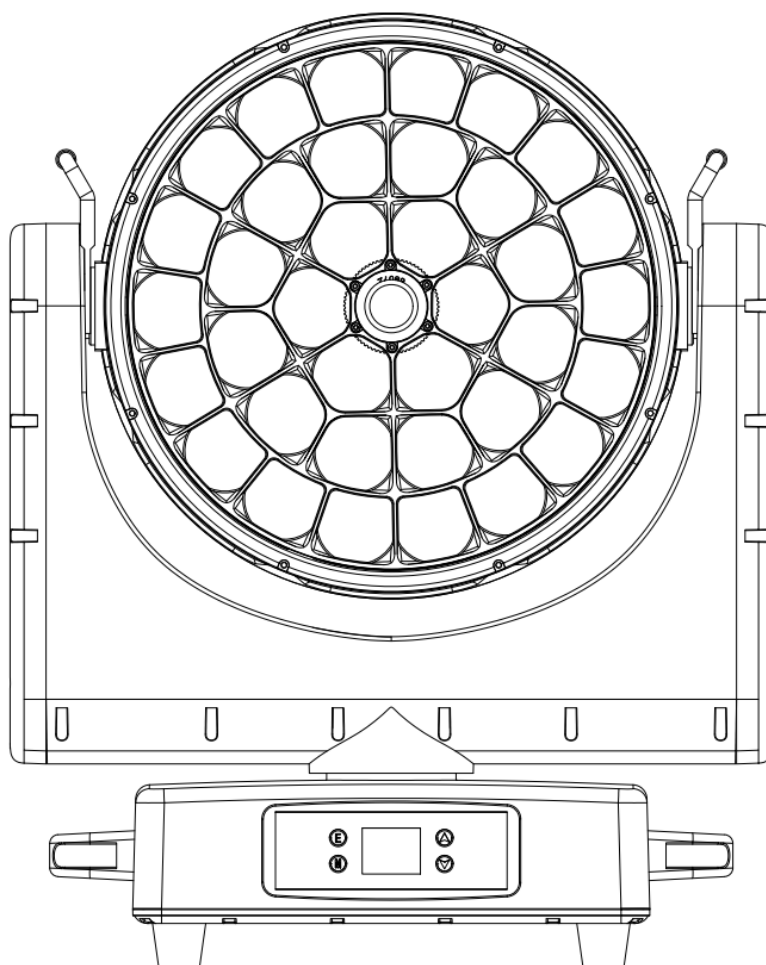


CE

# LED moving head

ZOOM and Rotation  
37pcs 40W 4-in-1



User Manual

KEEP THIS MANUAL FOR FUTURE NEEDS

## **1. Unpacking**

Thank you for choosing our fixture. For your own safety, please read this manual before installing the device. This manual covers the important information on installation and applications. Please install and operate the fixture with following instructions. Meanwhile, please keep this manual well for future needs.

This fixture is made of a new type of high temperature strength of engineering plastics and cast aluminum casing with nice outlook. The fixture is designed and manufactured strictly following CE standards, complying with international standard DMX512 protocol. It's available independently controlled and linkable with each other for operation. And it is applicable for large-scale live performances, theater, studio, nightclubs and discos.

4-IN-1 LEDs(RGBW) which features high brightness and stability. Please carefully unpack it when you receive the fixture and check whether it is damaged during the transportation. And please check whether the following items are included inside the box:

Moving Head-----One

Signal Cable----One

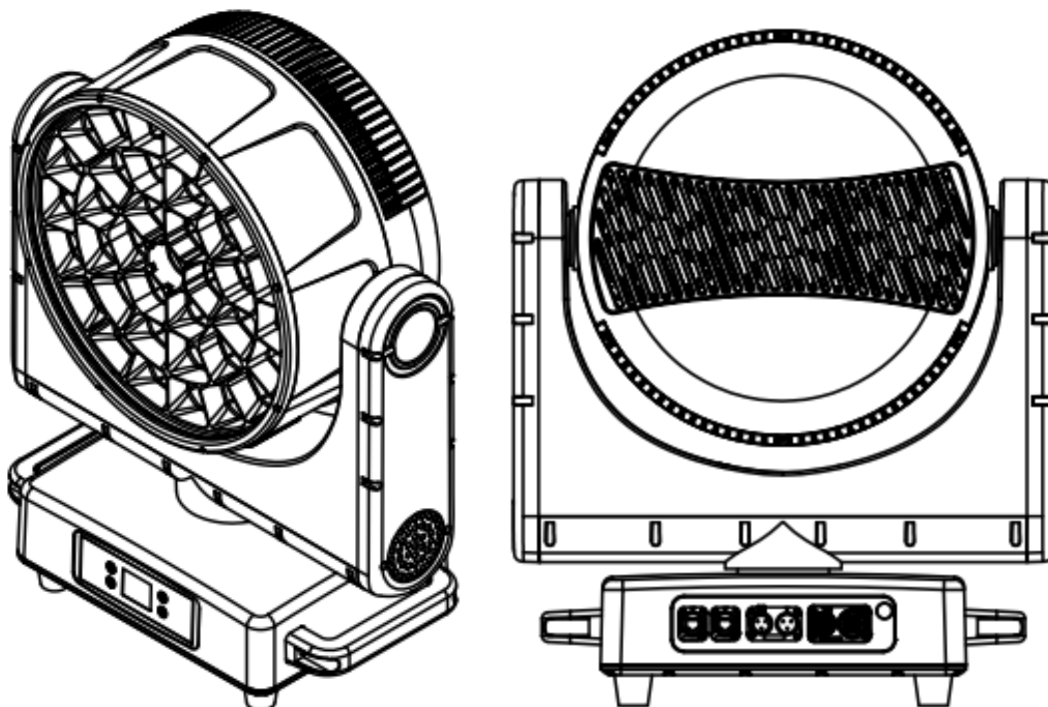
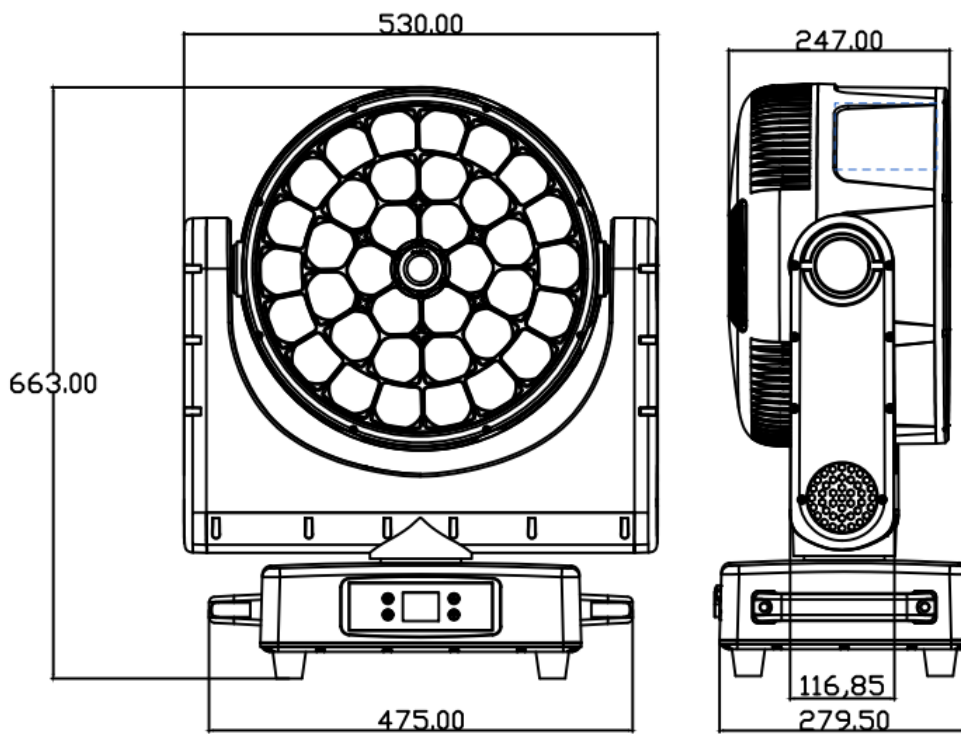
Hanging Bracket-----Two

Power Cable----One

Safety Cable-----one

User Manual----One

## 2. Product dimension (mm)



### 3. Safety Instructions



#### CAUTION!

Be careful with your operations. With a dangerous voltage you can suffer a dangerous electric shock when touching wires!

This device has left the factory in perfect condition. In order to maintain this condition and to ensure a safe operation, it is absolutely necessary for the user to follow the safety instructions and warning notes written in this user manual.



#### Important:

*Damages caused by the disregard of this user manual are not subject to warranty. The dealer will not accept liability for any resulting defects or problems.*

If the device has been exposed to temperature changes due to environmental changes, do not switch it on immediately. The arising condensation could damage the device. Leave the device switched off until it has reached room temperature.

This device falls under protection-class I. Therefore it is essential that the device be earthed.

The electric connection must carry out by qualified person.

The device shall only be used with rate voltage and frequency.

Make sure that the available voltage is not higher than stated at the end of this manual.

Make sure the power cord is never crimped or damaged by sharp edges. If this would be the case, replacement of the cable must be done by an authorized dealer.

Always disconnect from the mains, when the device is not in use or before cleaning it. Only handle the power cord by the plug. Never pull out the plug by tugging the power cord.

During initial start-up some smoke or smell may arise. This is a normal process and does not necessarily mean that the device is defective, it should decrease gradually.

Please don't project the beam onto combustible substances.

Fixtures cannot be installed on combustible substances, keep more than 50cm distance with wall for smooth air flow, so there should be no shelter for fans and ventilation for heat radiation.

If the external flexible cable or cord of this luminaire is damaged, it shall be exclusively replaced by the manufacturer or his service agent or a similar qualified person in order to avoid a hazard.

#### **4. Operation Instructions**

-The fixture is for beam wash and effect use.

-Don't turn on the fixture if it's been through severe temperature difference like after transportation because it might damage the light due to the environment changes. So make sure to operate the fixture until it is in normal temperature.

-This light should be keep away from strong shaking during any transportation or movement.

-Don't pull up the light by only the head, or it might cause damages to the mechanical parts.

-Don't expose the fixture in overheat, moisture or environment with too much dust when installing it. And don't lay any power cables on the floor. Or it might cause electronic shock to the people.

-Make sure the installation place is in good safety condition before installing the fixture.

-Make sure to put the safety chain and check whether the screws are screwed properly when installing the fixture.

-Make sure the lens are in good condition. It's recommended to replace the units if there are any damages or severe scratch.

-Make sure the fixture is operated by qualified personnel who knows the

fixture before using.

-Keep the original packages if any second shipment is needed.

-Don't try to change the fixtures without any instruction by the manufacturer or the appointed repairing agencies.

-It is not in warranty range if there are any malfunctions from not following the user manual to operate or any illegal operation, like shock short circuit, electronic shock, lamp broke, etc.

## ***5. Mounting and Installation***

**Cautions:** For added protection mount the fixtures in areas outside walking paths, seating areas, or in areas where the fixture might be reached by unauthorized personnel.

Before mounting the fixture to any surface, make sure that the installation area can hold a minimum point load of 10 times the device's weight.

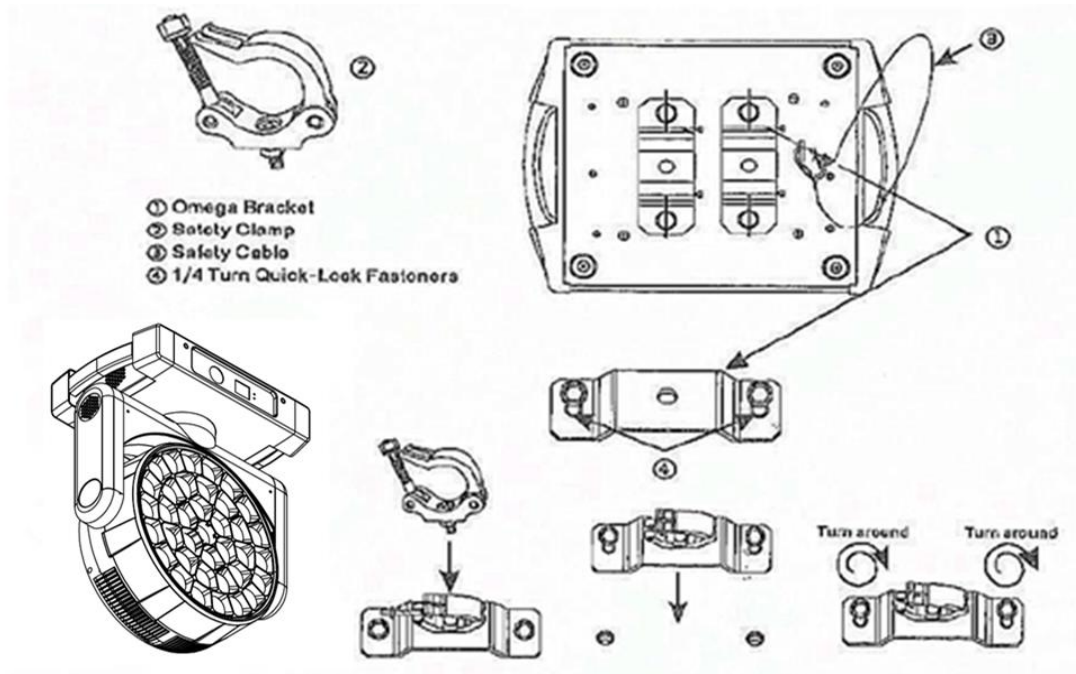
Fixture installation must always be secured with a secondary safety attachment, such as an appropriate safety cable.

Never stand directly below the device when mounting, removing, or servicing the fixture from a periodic safety inspection of all installation material and the fixture. If you lack these qualifications, do not attempt the installation yourself. Improper installation can result in bodily injury.

Be sure to complete all rigging and installation procedures before connecting the main power cord to the appropriate wall outlet.

**Clamp Mounting:** The product provides a unique mounting bracket assembly that integrates the bottom of the base, the included "Omega Bracket," and the safety cable rigging point in one unit (see the illustration below). When mounting this fixture to truss be sure to secure an appropriately rated clamp to the included omega bracket using a M10

screw fitted through the center hole of the “omega bracket”. As an added safety measure be sure to attached at least one properly rated safety cable to the fixture using on of the safety cable rigging point integrated in the base assembly



Regardless of the rigging option you choose for our fixture, always be sure to secure your fixture with a safety cable. The fixture provides a built-in rigging point for a safety cable on the hanging bracket as illustrated above. Be sure to only use the designated rigging point for the safety cable and never secure a safety cable to a carrying handle.

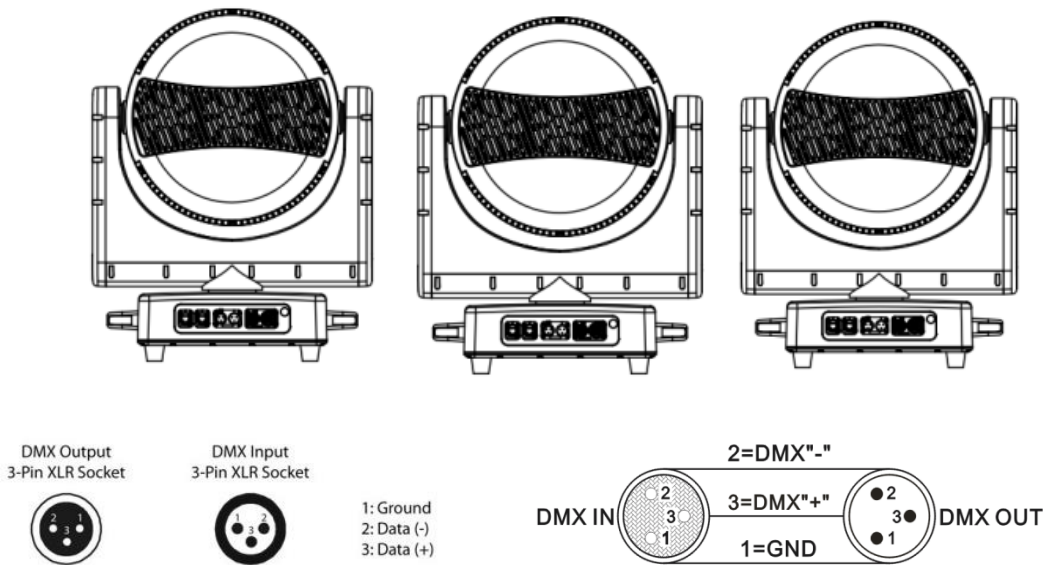
Regardless of the rigging option you choose for our fixture, always be sure to secure your fixture with a safety cable. The fixture provides a built-in rigging point for a safety cable on the hanging bracket as illustrated above. Be sure to only use the designated rigging point for the safety cable and never secure a safety cable to a carrying handle.

## 6. DMX-512 control connections

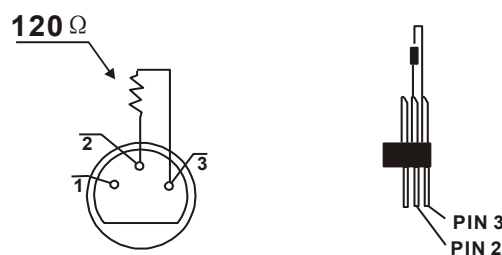
Connect the provided XLR cable to the female 3-pin XLR output of your controller and the other side to the male 3-pin XLR input of the moving head. You can chain multiple

Moving heads be connected together through serial linking. The cable needed should be two core, screened cable with XLR input and output connectors. Please refer to the diagram below.

DMX-512 connection with DMX terminator



For installations where the DMX cable has to run a long distance or is in an electrically noisy environment, such as in a discotheque, it is recommended to use a DMX terminator. This helps in preventing corruption of the digital control signal by electrical noise. The DMX terminator is simply an XLR plug with a 120 Ω resistor connected between pins 2 and 3, which is then plugged into the output XLR socket of the last fixture in the chain. Please see illustrations below.



## 7. DMX Channels

### 21/22/35/36 CH mode

21CH	22CH	35CH	36CH	Function	DMX Value	Function
1	1	1	1	Red	0-255	Red
2	2	2	2	Red fine	0-255	Red fine
3	3	3	3	Green	0-255	Green
4	4	4	4	Green fine	0-255	Green fine
5	5	5	5	Blue	0-255	Blue
6	6	6	6	Blue fine	0-255	Blue fine
7	7	7	7	White	0-255	White
8	8	8	8	White fine	0-255	White fine
9	9	9	9	CTO	0-255	CTO
10	10	10	10	Macro color	0-255	Macro color
11	11	11	11	Strobe	0 - 3	Close
					4 - 103	Rule Strobe,slow to fast
					104 - 107	Open
					108 - 207	Pulse Strobe,slow to fast
					208 - 212	Open
					213 - 225	Random Strobe Slow Speed
					226 - 238	Random Strobe Middle Speed
					239 - 251	Random Strobe Fast Speed
					252 - 255	Open
12	12	12	12	Dimmer	0-255	Dimmer
13	13	13	13	Dimmer fine	0-255	Dimmer fine
14	14	14	14	Pan	0-255	Pan
15	15	15	15	Pan fine	0-255	Pan fine
16	16	16	16	Tilt	0-255	Tilt
17	17	17	17	Tilt fine	0-255	Tilt fine
18	18	18	18	Function	0-102	Empty
					103-105	Turn on pixel mode
					110-114	Turn off color correction
					115-119	Turn on color correction
19	19	19	19	Reset	0-199	Empty
					200-205	Reset (after 5 second)
					206-255	Empty
20	20	20	20	Zoom	0-255	Zoom
21	21	21	21	Zoom Rotation	0-255	Zoom Rotation
		22	22	Shape Selection	0-255	Shape Selection

		23	23	Shape Speed	0-255	Shape Fade
		24	24	Shape Fade	0-255	Shape Speed
		25	25	Shape Red	0-255	Shape Red
		26	26	Shape Green	0-255	Shape Green
		27	27	Shape Blue	0-255	Shape Blue
		28	28	Shape White	0-255	Shape White
		29	29	Shape Dimmer	0-255	Shape Dimmer
		30	30	Background Dimmer	0-255	Background Dimmer
		31	31	Shape Transition	0-255	Shape Transition
		32	32	Shape Offset	0-255	Shape Offset
		33	33	Foreground Strobe	0-4	Close
					5-103	Rule Strobe,slow to fast
					104-107	Open
					108-207	Pulse Strobe,slow to fast
					208-255	Open
		34	34	Background Strobe	0-4	Close
					5-103	Rule Strobe,slow to fast
					104-107	Open
					108-207	Pulse Strobe,slow to fast
					208-255	Open
		35	35	Background Select	0-255	Background Select
	22		36	Frequency	0-9	Default selection
					10-49	1K
					50-99	10K
					100-149	15K
					150-199	20K
					200-255	25K

**Please pay attention :**

**111/148CH Operation description: Channel mode select 21 channels, the value of the 18th channel set to Value 103-105, then you can proceed to the next operation!**

## 111/148 CH mode (Pixel Mode)

111CH	148CH	Function	DMX Value	Function
1	1	Red	0-255	Red
2	2	Red fine	0-255	Red fine
3	3	Green	0-255	Green
4	4	Green fine	0-255	Green fine
5	5	Blue	0-255	Blue
6	6	Blue fine	0-255	Blue fine
7	7	White	0-255	White
8	8	White fine	0-255	White fine
9	9	CTO	0-255	CTO
10	10	Macro color	0-255	Macro color
11	11	Strobe	0 - 3	Close
			4 - 103	Rule Strobe,slow to fast
			104 - 107	Open
			108 - 207	Pulse Strobe,slow to fast
			208 - 212	Open
			213 - 225	Random Strobe Slow Speed
			226 - 238	Random Strobe Middle Speed
			239 - 251	Random Strobe Fast Speed
252 - 255	Open			
12	12	Dimmer	0-255	0-100 Dimmer
13	13	Dimmer fine	0-255	Dimmer fine
14	14	Pan	0-255	Pan
15	15	Pan fine	0-255	Pan fine
16	16	Tilt	0-255	Tilt
17	17	Tilt fine	0-255	Tilt fine
18	18	Function	0-255	Function
19	19	Reset	0-199	Reset
			200-205	
			206-255	
20	20	Zoom	0-255	Zoom
21	21	Zoom Rotation	0-255	Zoom Rotation
22	22	Red1	0-255	Red1
23	23	Green1	0-255	Green1
24	24	Blue1	0-255	Blue1
...	25	White1	0-255	White1
...	...	...	...	...
109	145	Red37	0-255	Red37
110	146	Green37	0-255	Green37
111	147	Blue37	0-255	Blue37
	148	White37	0-255	White37

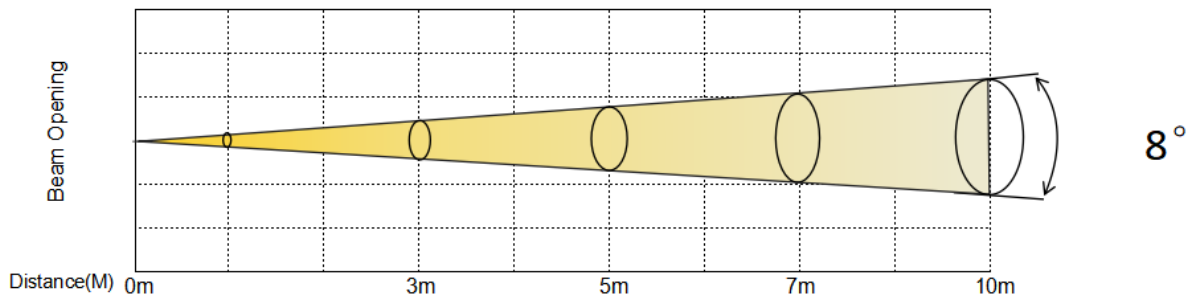
## 8. Display Instruction

Main Menu	Second	Third
<b>Dmx Address</b>	000 - 512	
<b>Fixture</b>	DMX Mode	21CH/22CH/35CH/36CH
	Pixel Mode	Close/111CH/148CH
	Run Mode	DMX / Host / Sound
	Pan Invert	Close / Open
	Tilt Invert	Close / Open
	Zoom Invert	Close / Open
	No Signal	Clear / Hold
	Fan Control	Auto / Silent / High
	Auto Test	
	Frequency	1K/10K/15K/20K/25K
	Sound Sensitivity	00 -- 99
<b>Manual</b>	Manual test	
<b>Information</b>	Time	Current Time
		Total Time
		Power Count
	Sensor	All Sensors are ok! / Pan、Tilt、Zoom.....
	Temperature	Head Temp/Bottom Humi
	Software Version	Panel
		Motor
Dimmer1		
<b>Factory</b>	Password	000 - 255
	Pan	000 - 255
	Tilt	000 - 255
	Zoom	000 - 255
	Zoom Rotation	000 - 255
	Red	000 - 255
	Green	000 - 255
	Blue	000 - 255
	White	000 - 255
<b>Fixture Reset</b>	Motor Reset	OFF / Run
	Factory	OFF / Run
<b>Display</b>	Language	CH / EN
	Display Flip	OFF / ON
	Display Mode	60s / Show

## 9. Photometric Data:

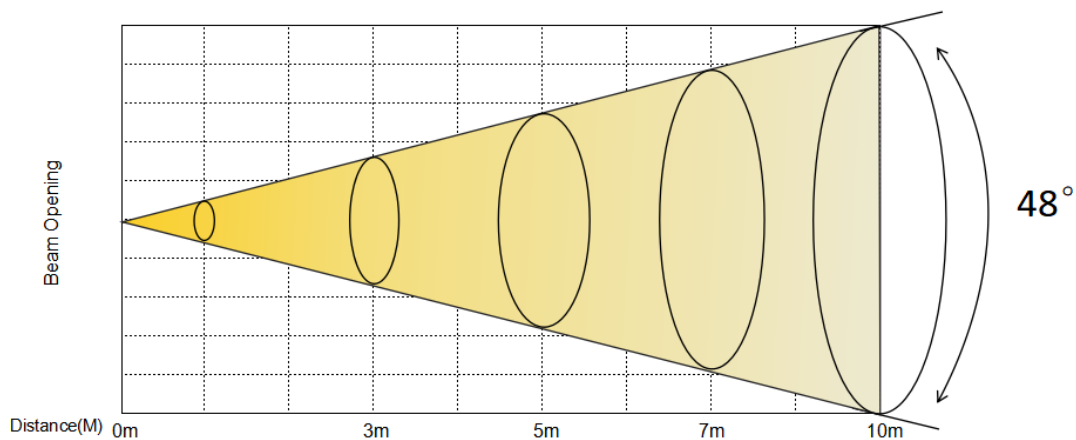
LUX Data of 8 degree beam angle

R	2400lux@3m	910lux@5m	440lux@7m	210lux@10m
G	4450lux@3m	1725lux@5m	825lux@7m	475lux@10m
B	7850lux@3m	3150lux@5m	1350lux@7m	820lux
W	7250lux@3m	2760lux@5m	1340lux@7m	725lux@10m
RGBW	21500lux@3m	8150lux@5m	3860lux@7m	1820lux@



LUX Data of 48 degree beam angle

R	15900lux@3m	9650lux@5m	4650lux@7m	2510lux@10m
G	29100lux@3m	17850lux@5m	8850lux@7m	4650lux@10m
B	48000lux@3m	28500lux@5m	14800lux@7m	7850lux@10m
W	45200lux@3m	27100lux@5m	13710lux@7m	7210lux@10m
RGBW	101000lux@3m	74100lux@5m	39800lux@7m	21000lux@10m



## **10. Key Features**

**Voltage: AC100V~240V 50-60HZ**

**Rated Power: 1450W**

**LED Source: 37x40W high power RGBW 4 in 1 LEDs**

**Zoom: 8° - 48°**

**Strobe: 0-25Hz**

**Control Mode: DMX512,Sound-actived,Master/slave**

**DMX Channels:21/22/35/36/111/148 sixchannel mode**

**Dimmer: 0-100% linear dimmer with 4 kinds of dimmer curve.**

**Pan: 540°+16bit fine**

**Tilt: 250°+16bit fine**

**Display: LCD display with touch buttons.**

**Temperature control: intelligent temperature control, which can automatically adjust the speed and overheating protection of the heat fan.**

**IP: IP65**

**Fixture dimension: 530\*279\*663mm**

**N.W: 32.2 Kg**

**G.W: 37.8Kg**

**Package dimension: 79.5x65x42cm(1pc/ctn)**

**Flight case(2in1 ): 104\*58\*88cm N.W:41KG G.W:110KG**

**Special Points.**

- 1. Each LED can be controlled individually. With unique honeycomb designed lens**
- 2. The front lens can rotate without limitation in forward and reverse direction to create amazing effects**
- 3. Can be used as beam, wash or effect light use (Kaleido effects)**

## **11. Maintenance and Cleaning**

The following points have to be considered during the inspection:

1. All screws for installing the devices or parts of the device have to be tightly connected and must not be corroded. 2. There must not be any deformations on the housing, color lenses, fixations and installation spots (ceiling, suspension, trussing). 3. Mechanically moved parts must not show any traces of wearing and must not rotate with unbalances. 4. The electric power supply cables must not show any damage, material fatigue or sediments.

Further instructions depending on the installation spot and usage have to be adhered by a skilled installer and any safety problems have to be removed.



### **CAUTION!**

Disconnect from mains before starting maintenance operation.

In order to make the lights in good condition and extend the life time, we suggest a regular cleaning to the lights.

- 1) Clean the inside and outside lens each week to avoid the weakness of the lights due to accumulation of dust.
- 2) Clean the fan each week.
- 3) A detailed electric check by approved electrical engineer each three month, make sure that the circuit contacts are in good condition, prevent the poor contact of circuit from overheating.

We recommend a frequent cleaning of the device. Please use a moist, lint- free cloth. Never use alcohol or solvents. There are no serviceable parts inside the device. Please refer to the instructions under “Installation instructions”. Should you need any spare parts, please order genuine parts from your local dealer