

SL-MW1000-RGBW-IP

Same Personality As Chauvet Strike V

1000W Outdoor Powerful LED Moving Wash Light



This product manual contains important information about the safe installation and use of this projector. Please read and follow these instructions carefully and keep this manual in a safe place for future reference.

User manual

Please read the instructions carefully before use

TABLE OF CONTENTS

1.Safety Instruction2
2.Technical Specification4
3.How to Control The Devicee5
4.DMX.Channel.....12
5.Trouble Shooting.....151
6.Fixture Cleaning152

STATEMENT

The product has well capability and intact packing when leave factory. All of the user should comply with warning item and manual, any misuse cause of the damages are not included in our guarantee, and also can not be responsible for any malfunction & problem owing to ignore the manual.

1.Safety Instruction

Please keep this User Guide for future consultation. If you sell the unit to another user, be sure that they also receive this instruction booklet.

Unpack and check carefully there is no transportation damage before using the unit.

Before operating, ensure that the voltage and frequency of power supply match the power requirements of the unit.

It's important to ground the yellow/green conductor to earth in order to avoid

electric shock.

The unit must be installed in a location with adequate ventilation, at least 50cm from adjacent surfaces. Be sure that no ventilation slots are blocked. Disconnect main power before replacement or servicing.

Make sure there are no flammable materials close to the unit while operating as it is fire hazard.

Use safety cable when fixes this unit. DO NOT handle the unit by taking its head only, but always by taking its base.

Maximum ambient temperature is T_a : 40°C. DO NOT operate it where the temperature is higher than this Unit surface temperature may reach up to 85°C. DO NOT touch the housing bare-hand during its operation. Turn off the power and allow about 15 minutes for the unit to cool down before replacing or serving.

In the event of serious operating problem, stop using the unit immediately. Never try to repair the unit by yourself. Repairs carried out by unskilled people can lead to damage or malfunction. Please contact the nearest authorized technical assistance center. Always use the same type spare parts.

DO NOT touch any wire during operation as high voltage might be causing electric shock.

WARNING:

To prevent or reduce the risk of electrical shock or fire, do not expose the unit to rain or moisture.

DO NOT open the unit within five minutes after switching off.

The housing, the lenses, or the ultraviolet filter must be replaced if they are

visibly damaged.

CAUTION:

There are no user serviceable parts inside the unit. DO NOT open the housing or attempt any repairs yourself. In the unlikely event your unit may require service, please contact your nearest dealer.

INSTALLATION:

The unit should be mounted via its screw holes on the bracket. Always ensure that the unit is firmly fixed to avoid vibration and slipping while operating. And make sure that the structure to which you are attaching the unit is secure and is able to support a weight of 10 times of the unit's weight. Also always use a safety cable that can hold 12 times of the weight of the unit when installing the fixture.

The equipment must be fixed by professionals. And it must be fixed at a place where is out of the touch of people.

2. Technical Specification

Power Voltage: AC 100-240V,50/60Hz

Power Consumption: 1000W

Light Sources: TX high quality 4in1 RGBW 5060 40W*24pcs +
24pcs*6W RGBW 4in1 LEDs

Pixel matrix: Main LED and Auxiliary LED both can be control individually

CRI: Ra≥80

Color Temperature: 2800-8000K

Light source life: 50000 hours

Beam Angle: Main LED 12°

Main LED with E-frost 48°

Auxiliary LED 110°

Auxiliary LED with E-frost 106°

Combined 12°

Combined with E-frost 50°

Dimmer: 0-100% linear dimmer

Strobe: 0.5-25 times/second and random strobe

Control

DMX Channel: 314/222/29/30/288/240/192/144/144/120/96/72

Protocol: Art-Net, DMX-512, RDM

Display: Illuminated graphic LCD

RDM: Bidirectional communication

Cooling: Temperature controlled, overheating protection

Construction

DMX In/Out socket: Seetronic 3-pin XLR waterproof in/out

Power Socket: Seetronic Waterproof powercon in/out

Art-Net: Seetronic waterproof Art-net in/out

Housing: Die-casting aluminum body housing

PHYSICAL

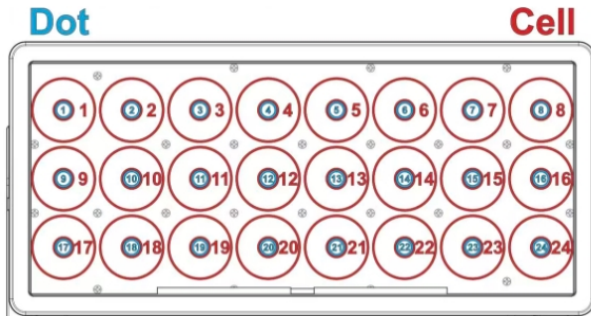
Protection Rating: IP65

Product Size:404*202*350MM

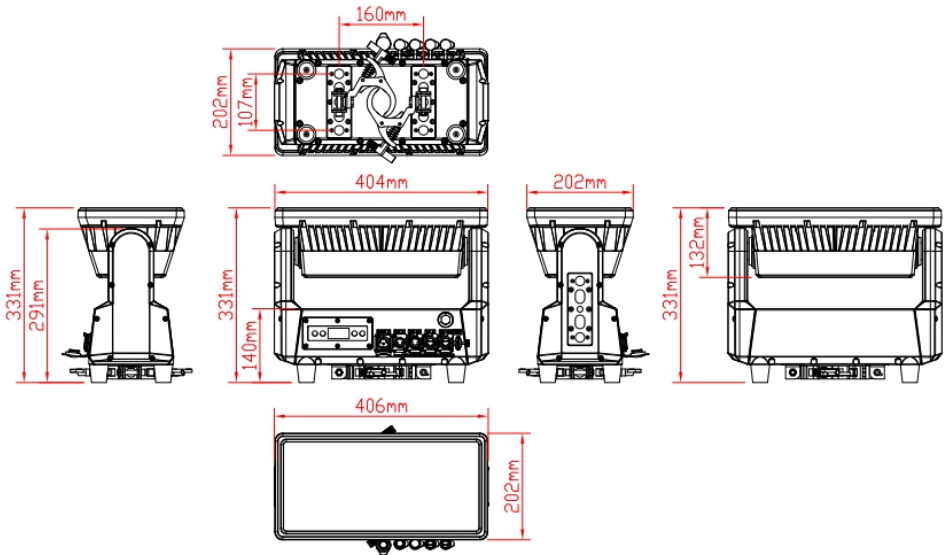
Weight: 15Kgs

Packing Size Carton: 490*240*420MM

Packing Weight:16.5Kgs

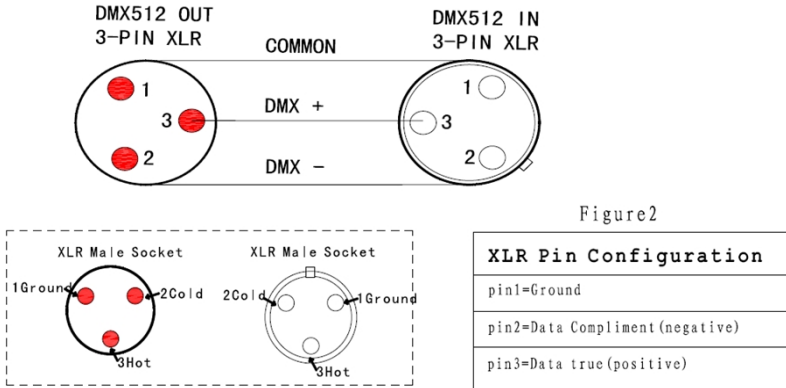


Product Dimensions



3.How to Control The Device

The DMX512 is widely used in intelligent lighting control,with a DMX 512 controller.connect several lights together,dmx in and dmx out, 3 pin XLR connectors: Pin 1: GND, Pin 2: Negative signal (-), Pin 3: Positive signal (+)



Display:

MENU To select the programming functions
 DOWN To go backward in the selected functions
 UP To go forward in the selected functions
 ENTER To confirm the selected functions

Set DMX Address Code

1. Press "**Menu**" to "Set DMX Address",and press "**ENTER**" keys to enter into
2. Show "Set DMX Address DMX Address:001",Press the "**UP** and **DOWN**" keys to amended
- 3 Press "**ENTER**" keys to save and Exit,Press the "**MENU**" Keys does not save and Exit
- 4 Functions setting via OLED touch display panel as below:

Main Level	Programming Levels			Description	
Protocol	Single-Movement	DMX512		Sets the control protocol for single control or movement control	
		Artnet			
		sACN			
	Dual Pixels	DMX512		Sets the control protocol for pixel control in dual mode	
		Artnet			
		sACN			
Multi-Layer	Dot Pixels	Artnet		Sets the control protocol for dot pixel control in multi-layer mode	
		sACN			
	Cell Pixels	Artnet		Sets the control protocol for cell pixel control in multi-layer mode	
		sACN			
DMX Address	Single-Movement		001-484	Sets the DMX starting addresses	
	Dual Pixels		001-369		
	Multi-Layer	Dot Pixels	001-441		
Cell Pixels					
DMX Channel	Single Control	29CH		Sets a single control personality	
		222CH			
		314CH			
	Dual Control	Movement	30CH		Confirms the movement control personality
			144CH		
		Pixels	192CH		Sets the pixel control personality in dual mode
			240CH		
			288CH		
	Multi-Layer Control	Movement	30CH		Confirms the movement control personality
			72CH+ 72CH		
		Pixels	72CH+ 96CH		Sets the combination of dot+ cell pixel control personalities in multi-layer mode
			96CH+ 72CH		
			96CH+ 96CH		
120CH+ 120CH					
120CH+ 144CH					
144CH+ 120CH					
144CH+ 144CH					
Static	Fixed Dot	R	GW	Sets a static dot color	
		G	BW		
		B	RGB		
		W	RGW		
		RG	RBW		
		RB	GBW		
		RW	RGBW		
		GB			
	Fixed Cell	R	GW	Sets a static cell color	
		G	BW		
		B	RGB		
		W	RGW		
		RG	RBW		

Main Level	Programming Levels				Description	
Static (cont.)	Fixed Color (cont.)	Fixed Cell (cont.)	RB	GBW	Sets a static cell color	
			RW	RGBW		
			GB			
	Manual Color Mixer	Dot Mixer		Red	<000–255>	Combine red, green, blue, and white to mix a custom dot color
				Green		
				Blue		
		Cell Mixer		White	<000–255>	Combine red, green, blue, and white to mix a custom cell color
				Red		
				Green		
	Flash Settings	Dot Flash		Flash Duration	000–255	Set the dot strobe length
				Flash Rate		Set the dot strobe speed
		Cell Flash		Flash Duration	000–255	Set the cell strobe length
				Flash Rate		Set the cell strobe speed
	Intensity Settings	Dot Intensity		000–255	Set the dot dimmer level	
		Cell Intensity			Set the cell dimmer level	
	Effect Macros	Dot Effect Macros		Color Chase	<001–255>	Set a dot effect macro and speed
Police Car						
Firetruck						
Fire						
Clouds						
Fireworks						
Paparazzi						
Cell Effect Macros			Color Chase	<001–255>	Set a cell effect macro and speed	
			Police Car			
			Firetruck			
			Fire			
			Clouds			
			Fireworks			
			Paparazzi			
Lightning						
Frost	000–255			Set the e-frost level		
Tilt Settings	Tilt	000–255		Set the tilt level		
	Tilt Offset	000–255		Set the tilt offset		
	Tilt Invert	No		Normal tilt direction		
		Yes		Inverted tilt direction		
	Tilt Disable	No		Enables tilt		
		Yes		Disables tilt		
Tilt Legacy	No		STRIKE V tilt speed			
	Yes		Color STRIKE M tilt speed			
Master/ Slave	Master			DMX mode (master)		
	Slave			Slave mode		

Main Level	Programming Levels		Description	
Dmx Loss	Hold Last		Holds last signal received	
	Blackout		Blacks out fixture	
Test	Auto Test		Auto test all functions	
	Manual Test	Tilt	<000-255>	Manually control and test all settings through the control panel
		Tilt Fine		
		Frost		
		Dot Dim		
		Dot Dim Fine		
		Cell Dim		
		Cell Dim Fine		
		Dot Flash Dur		
		Dot Flash Rate		
		Cell Flash Du		
		Cell Flash Ra		
		Dot Strobe Ef		
		Cell Strobe E		
		CTC		
		Dot FX Select		
		Dot S & Dir		
		Dot FX Cross		
		Cell FX Selec		
		Cell S & Dir		
		Cell FX Cross		
		Control		
		Dot Red		
		Dot Green		
Dot Blue				
Dot White				
Cell R				
Cell Green				
Cell Blue				
Cell White				
Dimmer Mode	Off		Sets the dimmer speed	
	Dimmer 1-3			
Dimmer Curve	Linear		Sets the dimmer curve	
	Square			
	Inverse Square			
	S-Curve			

Main Level	Programming Levels				Description
Color Calibration	Off				Uses exact LED values
	User Calibration	Dot Calibration	Red	<125–255>	Sets the red dot LED maximum value
			Green		Sets the green dot LED maximum value
			Blue		Sets the blue dot LED maximum value
			White		Sets the white dot LED maximum value
		Cell Calibration	Red	<125–255>	Sets the red cell LED maximum value
			Green		Sets the green cell LED maximum value
			Blue		Sets the blue cell LED maximum value
			White		Sets the white cell LED maximum value
	Factory Calibration				Uses the factory-defined calibration
LED Frequency	1000Hz				Sets the Pulse Width Modulation frequency
	2000Hz				
	4000Hz				
	6000Hz				
	25KHz				
	64KHz				
Pixel Invert	Dot Invert	No		Normal dot direction	
		Yes		Inverted dot direction	
	Cell Invert	No		Normal cell direction	
		Yes		Inverted cell direction	
Fan Mode	Auto			Fan speed according to product temperature	
	On			Fan always on	
	Silent			Fan always off	
Display Invert	No			Normal display	
	Yes			Inverted display	
Key Lock	On			Locks display (password: <UP>, <DOWN>, <UP>, <DOWN>, <ENTER>)	
	Off				
Back Light	10S			Display turns off after 10 seconds	
	30S			Display turns off after 30 seconds	
	2Min			Display turns off after 2 minutes	
	Always On			Display stays on	
Ethernet Setting	IP Mode	Manual		Manually sets IP address	
		DHCP		Network sets IP address	
		Static		Product sets IP address	
	Artnet Universe	Single–Movement		000–255	Sets the Art-Net™ universe
		Dual		000–255	
		Multi-Layer	Dot Pixels	000–255	
			Cell Pixels	000–255	
	sACN Universe	Single–Movement		001–256	Sets the sACN universe
		Dual		001–256	
		Multi-Layer	Dot Pixels	001–256	
			Cell Pixels	001–256	
	IP Address	-----			Sets IP address in manual mode
	Subnet Mask	-----			Sets Subnet Mask in manual mode

Main Level	Programming Levels		Description
Information	Fixture Hours:	_____H	Shows number of hours product has been powered on
	Led Hours:	_____H	Shows total hours the LED has been powered on
	DISP Ver:	V0.0.23	Shows display firmware version
	CTR1-Y Ver:	V0.2	Shows tilt driver firmware version
	CTR2-LEDA Ver:	V0.4	Shows LED driver A firmware version
	CTR3-LEDB Ver:	V0.2	Shows LED driver B firmware version
	UID:	21A40A_____	Shows product UID
	Temperature Max:	__°C	Shows highest current temperature in °C
	Temperature Dot:	__°C	Shows current dot temperature in °C
	Temperature Cell:	__°C	Shows current cell temperature in °C
Temperature Base:	46°C	Shows current base temperature in °C	
Upgrade Firmware	Only This Fixture	_____CHL ...	Selects an update file for this product, or shows "No such file!"
	Multiple Fixture	_____CHL ...	Selects an update file for this and connected STRIKE V products, or shows "No such file!"
	Other Fixture Type	_____CHL ...	Selects an update file for other connected products, or shows "No such file!"
	Fixture To Fixture	Are you sure?	Uploads current firmware to connected products
Factory Reset	No		Resets the product to factory default settings
	Yes		

4. DMX Channel Table

DMX 512 314CHs Single Control

CH	Function	Value	Percent/Setting
1	Tilt	000-255	0-100%
2	Fine tilt	000-255	0-100%
3	Tilt Speed	000-255	Fast to slow

4	E-frost	000-255	0-100%
5	Dot strobe duration	000-009	Classic shutter mode:disables duration control
		010-250	Short to long (7-650 ms)
		251-255	100%On
6	Dot strobe rate	000-009	100%On
		010-250	Slow to fast (0.289-16.67 Hz)
		251-255	100%On
7	Cell strobe duration	000-009	Classic shutter mode:disables duration control
		010-250	Short to long (7-650 ms)
		251-255	100%On
8	Cell strobe rate	000-009	100%On
		010-250	Slow to fast (0.289-16.67 Hz)
		251-255	100%On
9	Dot strobe effect	000-005	No function
		006-042	Fade up, slow to fast

		043-085	Fade down, slow to fast
		086-128	Fade up and down, slow to fast
		129-171	Random strobe, slow to fast
		172-214	Lighting strobe, slow to fast
		215-255	Spike strobe, slow to fast
10	Cell strobe effect	000-005	No function
		006-042	Fade up, slow to fast
		043-085	Fade down, slow to fast
		086-128	Fade up and down, slow to fast
		129-171	Random strobe, slow to fast
		172-214	Lighting strobe, slow to fast
		215-255	Spike strobe, slow to fast
11	Color temperature	000-255	2800-8000K
12	Dot foreground dimmer	000-255	0-100%
13	Dot foreground color	000-255	See the color macro chart

14	Dot background dimmer	000-255	0-100%
15	Dot background color	000-255	See the color macro chart
16	Dot FX macro	000-255	See the FX macro chart
17	Dot FX macro direction and speed	000-005	No function
		006-124	Left to right, fast to slow
		125-130	No function
		131-249	Right to left, slow to fast
		250-255	No function
18	Dot FX macro delay	000-002	Snap
		003-255	Fade short to long
19	Cell foreground dimmer	000-255	0-100%
20	Cell foreground color	000-255	See the color macro chart
21	Cell background dimmer	000-255	0-100%
22	Cell background color	000-255	See the color macro chart
23	Cell FX macro	000-255	See the FX macro chart

24	Cell FX macro direction and speed	000-005	No function
		006-124	Left to right, fast to slow
		125-130	No function
		131-249	Right to left, slow to fast
		250-255	No function
25	Dot FX macro delay	000-002	Snap
		003-255	Fade short to long
26	Control(hold for 3seconds)	000-255	See the control chart
27	Dot 1 dimmer	000-255	0-100%
28	Dot 1 fine dimmer	000-255	0-100%
29	Dot 1 red	000-255	0-100%
30	Dot 1 green	000-255	0-100%
31	Dot 1 blue	000-255	0-100%
32	Dot 1 white	000-255	0-100%
33	Dot 2 dimmer	000-255	0-100%

34	Dot 2 fine dimmer	000-255	0-100%
35	Dot 2 red	000-255	0-100%
36	Dot 2 green	000-255	0-100%
37	Dot 2 blue	000-255	0-100%
38	Dot 2 white	000-255	0-100%
39	Dot 3 dimmer	000-255	0-100%
40	Dot 3 fine dimmer	000-255	0-100%
41	Dot 3 red	000-255	0-100%
42	Dot 3 green	000-255	0-100%
43	Dot 3 blue	000-255	0-100%
44	Dot 3 white	000-255	0-100%
45	Dot 4 dimmer	000-255	0-100%
46	Dot 4 fine dimmer	000-255	0-100%
47	Dot 4 red	000-255	0-100%
48	Dot 4 green	000-255	0-100%

49	Dot 4 blue	000-255	0-100%
50	Dot 4 white	000-255	0-100%
51	Dot 5 dimmer	000-255	0-100%
52	Dot 5 fine dimmer	000-255	0-100%
53	Dot 5 red	000-255	0-100%
54	Dot 5 green	000-255	0-100%
55	Dot 5 blue	000-255	0-100%
56	Dot 5 white	000-255	0-100%
57	Dot 6 dimmer	000-255	0-100%
58	Dot 6 fine dimmer	000-255	0-100%
59	Dot 6 red	000-255	0-100%
60	Dot 6 green	000-255	0-100%
61	Dot 6 blue	000-255	0-100%
62	Dot 6 white	000-255	0-100%
63	Dot 7 dimmer	000-255	0-100%

64	Dot 7 fine dimmer	000-255	0-100%
65	Dot 7 red	000-255	0-100%
66	Dot 7 green	000-255	0-100%
67	Dot 7 blue	000-255	0-100%
68	Dot 7 white	000-255	0-100%
69	Dot 8 dimmer	000-255	0-100%
70	Dot 8 fine dimmer	000-255	0-100%
71	Dot 8 red	000-255	0-100%
72	Dot 8 green	000-255	0-100%
73	Dot 8 blue	000-255	0-100%
74	Dot 8 white	000-255	0-100%
75	Dot 9 dimmer	000-255	0-100%
76	Dot 9 fine dimmer	000-255	0-100%
77	Dot 9 red	000-255	0-100%
78	Dot 9 green	000-255	0-100%

79	Dot 9 blue	000-255	0-100%
80	Dot 9 white	000-255	0-100%
81	Dot 10 dimmer	000-255	0-100%
82	Dot 10 fine dimmer	000-255	0-100%
83	Dot 10 red	000-255	0-100%
84	Dot 10 green	000-255	0-100%
85	Dot 10 blue	000-255	0-100%
86	Dot 10 white	000-255	0-100%
87	Dot 11 dimmer	000-255	0-100%
88	Dot 11 fine dimmer	000-255	0-100%
89	Dot 11 red	000-255	0-100%
90	Dot 11 green	000-255	0-100%
91	Dot 11 blue	000-255	0-100%
92	Dot 11 white	000-255	0-100%
93	Dot 12 dimmer	000-255	0-100%

94	Dot 12 fine dimmer	000-255	0-100%
95	Dot 12 red	000-255	0-100%
96	Dot 12 green	000-255	0-100%
97	Dot 12 blue	000-255	0-100%
98	Dot 12 white	000-255	0-100%
99	Dot 13 dimmer	000-255	0-100%
100	Dot 13 fine dimmer	000-255	0-100%
101	Dot 13 red	000-255	0-100%
102	Dot 13 green	000-255	0-100%
103	Dot 13 blue	000-255	0-100%
104	Dot 13 white	000-255	0-100%
105	Dot 14 dimmer	000-255	0-100%
106	Dot 14 fine dimmer	000-255	0-100%
107	Dot 14 red	000-255	0-100%
108	Dot 14 green	000-255	0-100%

109	Dot 14 blue	000-255	0-100%
110	Dot 14 white	000-255	0-100%
111	Dot 15 dimmer	000-255	0-100%
112	Dot 15 fine dimmer	000-255	0-100%
113	Dot 15 red	000-255	0-100%
114	Dot 15 green	000-255	0-100%
115	Dot 15 blue	000-255	0-100%
116	Dot 15 white	000-255	0-100%
117	Dot 16 dimmer	000-255	0-100%
118	Dot 16 fine dimmer	000-255	0-100%
119	Dot 16 red	000-255	0-100%
120	Dot 16 green	000-255	0-100%
121	Dot 16 blue	000-255	0-100%
122	Dot 16 white	000-255	0-100%
123	Dot 17 dimmer	000-255	0-100%

124	Dot 17 fine dimmer	000-255	0-100%
125	Dot 17 red	000-255	0-100%
126	Dot 17 green	000-255	0-100%
127	Dot 17 blue	000-255	0-100%
128	Dot 17 white	000-255	0-100%
129	Dot 18 dimmer	000-255	0-100%
130	Dot 18 fine dimmer	000-255	0-100%
131	Dot 18 red	000-255	0-100%
132	Dot 18 green	000-255	0-100%
133	Dot 18 blue	000-255	0-100%
134	Dot 18 white	000-255	0-100%
135	Dot 19 dimmer	000-255	0-100%
136	Dot 19 fine dimmer	000-255	0-100%
137	Dot 19 red	000-255	0-100%
138	Dot 19 green	000-255	0-100%

139	Dot 19 blue	000-255	0-100%
140	Dot 19 white	000-255	0-100%
141	Dot 20 dimmer	000-255	0-100%
142	Dot 20 fine dimmer	000-255	0-100%
143	Dot 20 red	000-255	0-100%
144	Dot 20 green	000-255	0-100%
145	Dot 20 blue	000-255	0-100%
146	Dot 20 white	000-255	0-100%
147	Dot 21 dimmer	000-255	0-100%
148	Dot 21 fine dimmer	000-255	0-100%
149	Dot 21 red	000-255	0-100%
150	Dot 21 green	000-255	0-100%
151	Dot 21 blue	000-255	0-100%
152	Dot 21 white	000-255	0-100%
153	Dot 22 dimmer	000-255	0-100%

154	Dot 22 fine dimmer	000-255	0-100%
155	Dot 22 red	000-255	0-100%
156	Dot 22 green	000-255	0-100%
157	Dot 22 blue	000-255	0-100%
158	Dot 22 white	000-255	0-100%
159	Dot 23 dimmer	000-255	0-100%
160	Dot 23 fine dimmer	000-255	0-100%
161	Dot 23 red	000-255	0-100%
162	Dot 23 green	000-255	0-100%
163	Dot 23 blue	000-255	0-100%
164	Dot 23 white	000-255	0-100%
165	Dot 24 dimmer	000-255	0-100%
166	Dot 24 fine dimmer	000-255	0-100%
167	Dot 24 red	000-255	0-100%
168	Dot 24 green	000-255	0-100%

169	Dot 24 blue	000-255	0-100%
170	Dot 24 white	000-255	0-100%
171	Cell 1 dimmer	000-255	0-100%
172	Cell 1 fine dimmer	000-255	0-100%
173	Cell 1 red	000-255	0-100%
174	Cell 1 green	000-255	0-100%
175	Cell 1 blue	000-255	0-100%
176	Cell 1 white	000-255	0-100%
177	Cell 2 dimmer	000-255	0-100%
178	Cell 2 fine dimmer	000-255	0-100%
179	Cell 2 red	000-255	0-100%
180	Cell 2 green	000-255	0-100%
181	Cell 2 blue	000-255	0-100%
182	Cell 2 white	000-255	0-100%
183	Cell 3 dimmer	000-255	0-100%

184	Cell 3 fine dimmer	000-255	0-100%
185	Cell 3 red	000-255	0-100%
186	Cell 3 green	000-255	0-100%
187	Cell 3 blue	000-255	0-100%
188	Cell 3 white	000-255	0-100%
189	Cell 4 dimmer	000-255	0-100%
190	Cell 4 fine dimmer	000-255	0-100%
191	Cell 4 red	000-255	0-100%
192	Cell 4 green	000-255	0-100%
193	Cell 4 blue	000-255	0-100%
194	Cell 4 white	000-255	0-100%
195	Cell 5 dimmer	000-255	0-100%
196	Cell 5 fine dimmer	000-255	0-100%
197	Cell 5 red	000-255	0-100%
198	Cell 5 green	000-255	0-100%

199	Cell 5 blue	000-255	0-100%
200	Cell 5 white	000-255	0-100%
201	Cell 6 dimmer	000-255	0-100%
202	Cell 6 fine dimmer	000-255	0-100%
203	Cell 6 red	000-255	0-100%
204	Cell 6 green	000-255	0-100%
205	Cell 6 blue	000-255	0-100%
206	Cell 6 white	000-255	0-100%
207	Cell 7 dimmer	000-255	0-100%
208	Cell 7 fine dimmer	000-255	0-100%
209	Cell 7 red	000-255	0-100%
210	Cell 7 green	000-255	0-100%
211	Cell 7 blue	000-255	0-100%
212	Cell 7 white	000-255	0-100%
213	Cell 8 dimmer	000-255	0-100%

214	Cell 8 fine dimmer	000-255	0-100%
215	Cell 8 red	000-255	0-100%
216	Cell 8 green	000-255	0-100%
217	Cell 8 blue	000-255	0-100%
218	Cell 8 white	000-255	0-100%
219	Cell 9 dimmer	000-255	0-100%
220	Cell 9 fine dimmer	000-255	0-100%
221	Cell 9 red	000-255	0-100%
222	Cell 9 green	000-255	0-100%
223	Cell 9 blue	000-255	0-100%
224	Cell 9 white	000-255	0-100%
225	Cell 10 dimmer	000-255	0-100%
226	Cell 10 fine dimmer	000-255	0-100%
227	Cell 10 red	000-255	0-100%
228	Cell 10 green	000-255	0-100%

229	Cell 10 blue	000-255	0-100%
230	Cell 10 white	000-255	0-100%
231	Cell 11 dimmer	000-255	0-100%
232	Cell 11 fine dimmer	000-255	0-100%
233	Cell 11 red	000-255	0-100%
234	Cell 11 green	000-255	0-100%
235	Cell 11 blue	000-255	0-100%
236	Cell 11 white	000-255	0-100%
237	Cell 12 dimmer	000-255	0-100%
238	Cell 12 fine dimmer	000-255	0-100%
239	Cell 12 red	000-255	0-100%
240	Cell 12 green	000-255	0-100%
241	Cell 12 blue	000-255	0-100%
242	Cell 12 white	000-255	0-100%
243	Cell 13 dimmer	000-255	0-100%

244	Cell 13 fine dimmer	000-255	0-100%
245	Cell 13 red	000-255	0-100%
246	Cell 13 green	000-255	0-100%
247	Cell 13 blue	000-255	0-100%
248	Cell 13 white	000-255	0-100%
249	Cell 14 dimmer	000-255	0-100%
250	Cell 14 fine dimmer	000-255	0-100%
251	Cell 14 red	000-255	0-100%
252	Cell 14 green	000-255	0-100%
253	Cell 14 blue	000-255	0-100%
254	Cell 14 white	000-255	0-100%
255	Cell 15 dimmer	000-255	0-100%
256	Cell 15 fine dimmer	000-255	0-100%
257	Cell 15 red	000-255	0-100%
258	Cell 15 green	000-255	0-100%

259	Cell 15 blue	000-255	0-100%
260	Cell 15 white	000-255	0-100%
261	Cell 16 dimmer	000-255	0-100%
262	Cell 16 fine dimmer	000-255	0-100%
263	Cell 16 red	000-255	0-100%
264	Cell 16 green	000-255	0-100%
265	Cell 16 blue	000-255	0-100%
266	Cell 16 white	000-255	0-100%
267	Cell 17 dimmer	000-255	0-100%
268	Cell 17 fine dimmer	000-255	0-100%
269	Cell 17 red	000-255	0-100%
270	Cell 17 green	000-255	0-100%
271	Cell 17 blue	000-255	0-100%
272	Cell 17 white	000-255	0-100%
273	Cell 18 dimmer	000-255	0-100%

274	Cell 18 fine dimmer	000-255	0-100%
275	Cell 18 red	000-255	0-100%
276	Cell 18 green	000-255	0-100%
277	Cell 18 blue	000-255	0-100%
278	Cell 18 white	000-255	0-100%
279	Cell 19 dimmer	000-255	0-100%
280	Cell 19 fine dimmer	000-255	0-100%
281	Cell 19 red	000-255	0-100%
282	Cell 19 green	000-255	0-100%
283	Cell 19 blue	000-255	0-100%
284	Cell 19 white	000-255	0-100%
285	Cell 20 dimmer	000-255	0-100%
286	Cell 20 fine dimmer	000-255	0-100%
287	Cell 20 red	000-255	0-100%
288	Cell 20 green	000-255	0-100%

289	Cell 20 blue	000-255	0-100%
290	Cell 20 white	000-255	0-100%
291	Cell 21 dimmer	000-255	0-100%
292	Cell 21 fine dimmer	000-255	0-100%
293	Cell 21 red	000-255	0-100%
294	Cell 21 green	000-255	0-100%
295	Cell 21 blue	000-255	0-100%
296	Cell 21 white	000-255	0-100%
297	Cell 22 dimmer	000-255	0-100%
298	Cell 22 fine dimmer	000-255	0-100%
299	Cell 22 red	000-255	0-100%
300	Cell 22 green	000-255	0-100%
301	Cell 22 blue	000-255	0-100%
302	Cell 22 white	000-255	0-100%
303	Cell 23 dimmer	000-255	0-100%

304	Cell 23 fine dimmer	000-255	0-100%
305	Cell 23 red	000-255	0-100%
306	Cell 23 green	000-255	0-100%
307	Cell 23 blue	000-255	0-100%
308	Cell 23 white	000-255	0-100%
309	Cell 24 dimmer	000-255	0-100%
310	Cell 24 fine dimmer	000-255	0-100%
311	Cell 24 red	000-255	0-100%
312	Cell 24 green	000-255	0-100%
313	Cell 24 blue	000-255	0-100%
314	Cell 24 white	000-255	0-100%

DMX 512 222CHs Single Control

CH	Function	Value	Percent/Setting
1	Tilt	000-255	0-100%
2	Fine tilt	000-255	0-100%

3	Tilt Speed	000-255	Fast to slow
4	E-frost	000-255	0-100%
5	Dot dimmer	000-255	0-100%
6	Dot fine dimmer	000-255	0-100%
7	Cell dimmer	000-255	0-100%
8	Cell fine dimmer	000-25	0-100%
9	Dot strobe duration	000-009	Classic shutter mode:disables duration control
		010-250	Short to long (7-650 ms)
		251-255	100%On
10	Dot strobe rate	000-009	100%On
		010-250	Slow to fast (0.289-16.67 Hz)
		251-255	100%On
11	Cell strobe duration	000-009	Classic shutter mode:disables duration control
		010-250	Short to long (7-650 ms)
		251-255	100%On

12	Cell strobe rate	000-009	100%On
		010-250	Slow to fast (0.289-16.67 Hz)
		251-255	100%On
13	Dot strobe effect	000-005	No function
		006-042	Fade up, slow to fast
		043-085	Fade down, slow to fast
		086-128	Fade up and down, slow to fast
		129-171	Random strobe, slow to fast
		172-214	Lighting strobe, slow to fast
		215-255	Spike strobe, slow to fast
14	Cell strobe effect	000-005	No function
		006-042	Fade up, slow to fast
		043-085	Fade down, slow to fast
		086-128	Fade up and down, slow to fast
		129-171	Random strobe, slow to fast

		172-214	Lighting strobe, slow to fast
		215-255	Spike strobe, slow to fast
15	Color temperature	000-255	2800-8000K
16	Dot foreground dimmer	000-255	0-100%
17	Dot foreground color	000-255	See the color macro chart
18	Dot background dimmer	000-255	0-100%
19	Dot background color	000-255	See the color macro chart
20	Dot FX macro	000-255	See the FX macro chart
21	Dot FX macro direction and speed	000-005	No function
		006-124	Left to right, fast to slow
		125-130	No function
		131-249	Right to left, slow to fast
		250-255	No function
22	Dot FX macro delay	000-002	Snap
		003-255	Fade short to long

23	Cell foreground dimmer	000-255	0-100%
24	Cell foreground color	000-255	See the color macro chart
25	Cell background dimmer	000-255	0-100%
26	Cell background color	000-255	See the color macro chart
27	Cell FX macro	000-255	See the FX macro chart
28	Cell FX macro direction and speed	000-005	No function
		006-124	Left to right, fast to slow
		125-130	No function
		131-249	Right to left, slow to fast
		250-255	No function
29	Dot FX macro delay	000-002	Snap
		003-255	Fade short to long
30	Control(hold for 3seconds)	000-255	See the control chart
31	Dot 1 red	000-255	0-100%
32	Dot 1 green	000-255	0-100%

33	Dot 1 blue	000-255	0-100%
34	Dot 1 white	000-255	0-100%
35	Dot 2 red	000-255	0-100%
36	Dot 2 green	000-255	0-100%
37	Dot 2 blue	000-255	0-100%
38	Dot 2 white	000-255	0-100%
39	Dot 3 red	000-255	0-100%
40	Dot 3 green	000-255	0-100%
41	Dot 3 blue	000-255	0-100%
42	Dot 3 white	000-255	0-100%
43	Dot 4 red	000-255	0-100%
44	Dot 4 green	000-255	0-100%
45	Dot 4 blue	000-255	0-100%
46	Dot 4 white	000-255	0-100%
47	Dot 5 red	000-255	0-100%

48	Dot 5 green	000-255	0-100%
49	Dot 5 blue	000-255	0-100%
50	Dot 5 white	000-255	0-100%
51	Dot 6 red	000-255	0-100%
52	Dot 6 green	000-255	0-100%
53	Dot 6 blue	000-255	0-100%
54	Dot 6 white	000-255	0-100%
55	Dot 7 red	000-255	0-100%
56	Dot 7 green	000-255	0-100%
57	Dot 7 blue	000-255	0-100%
58	Dot 7 white	000-255	0-100%
59	Dot 8 red	000-255	0-100%
60	Dot 8 green	000-255	0-100%
61	Dot 8 blue	000-255	0-100%
62	Dot 8 white	000-255	0-100%

63	Dot 9 red	000-255	0-100%
64	Dot 9 green	000-255	0-100%
65	Dot 9 blue	000-255	0-100%
66	Dot 9 white	000-255	0-100%
67	Dot 10 red	000-255	0-100%
68	Dot 10 green	000-255	0-100%
69	Dot 10 blue	000-255	0-100%
70	Dot 10 white	000-255	0-100%
71	Dot 11 red	000-255	0-100%
72	Dot 11 green	000-255	0-100%
73	Dot 11 blue	000-255	0-100%
74	Dot 11 white	000-255	0-100%
75	Dot 12 red	000-255	0-100%
76	Dot 12 green	000-255	0-100%
77	Dot 12 blue	000-255	0-100%

78	Dot 12 white	000-255	0-100%
79	Dot 13 red	000-255	0-100%
80	Dot 13 green	000-255	0-100%
81	Dot 13 blue	000-255	0-100%
82	Dot 13 white	000-255	0-100%
83	Dot 14 red	000-255	0-100%
84	Dot 14 green	000-255	0-100%
85	Dot 14 blue	000-255	0-100%
86	Dot 14 white	000-255	0-100%
87	Dot 15 red	000-255	0-100%
88	Dot 15 green	000-255	0-100%
89	Dot 15 blue	000-255	0-100%
90	Dot 15 white	000-255	0-100%
91	Dot 16 red	000-255	0-100%
92	Dot 16 green	000-255	0-100%

93	Dot 16 blue	000-255	0-100%
94	Dot 16 white	000-255	0-100%
95	Dot 17 red	000-255	0-100%
96	Dot 17 green	000-255	0-100%
97	Dot 17 blue	000-255	0-100%
98	Dot 17 white	000-255	0-100%
99	Dot 18 red	000-255	0-100%
100	Dot 18 green	000-255	0-100%
101	Dot 18 blue	000-255	0-100%
102	Dot 18 white	000-255	0-100%
103	Dot 19 red	000-255	0-100%
104	Dot 19 green	000-255	0-100%
105	Dot 19 blue	000-255	0-100%
106	Dot 19 white	000-255	0-100%
107	Dot 20 red	000-255	0-100%

108	Dot 20 green	000-255	0-100%
109	Dot 20 blue	000-255	0-100%
110	Dot 20 white	000-255	0-100%
111	Dot 21 red	000-255	0-100%
112	Dot 21 green	000-255	0-100%
113	Dot 21 blue	000-255	0-100%
114	Dot 21 white	000-255	0-100%
115	Dot 22 red	000-255	0-100%
116	Dot 22 green	000-255	0-100%
117	Dot 22 blue	000-255	0-100%
118	Dot 22 white	000-255	0-100%
119	Dot 23 red	000-255	0-100%
120	Dot 23 green	000-255	0-100%
121	Dot 23 blue	000-255	0-100%
122	Dot 23 white	000-255	0-100%

123	Dot 24 red	000-255	0-100%
124	Dot 24 green	000-255	0-100%
125	Dot 24 blue	000-255	0-100%
126	Dot 24 white	000-255	0-100%
127	Cell 1 red	000-255	0-100%
128	Cell 1 green	000-255	0-100%
129	Cell 1 blue	000-255	0-100%
130	Cell 1 white	000-255	0-100%
131	Cell 2 red	000-255	0-100%
132	Cell 2 green	000-255	0-100%
133	Cell 2 blue	000-255	0-100%
134	Cell 2 white	000-255	0-100%
135	Cell 3 red	000-255	0-100%
136	Cell 3 green	000-255	0-100%
137	Cell 3 blue	000-255	0-100%

138	Cell 3 white	000-255	0-100%
139	Cell 4 red	000-255	0-100%
140	Cell 4 green	000-255	0-100%
141	Cell 4 blue	000-255	0-100%
142	Cell 4 white	000-255	0-100%
143	Cell 5 red	000-255	0-100%
144	Cell 5 green	000-255	0-100%
145	Cell 5 blue	000-255	0-100%
146	Cell 5 white	000-255	0-100%
147	Cell 6 red	000-255	0-100%
148	Cell 6 green	000-255	0-100%
149	Cell 6 blue	000-255	0-100%
150	Cell 6 white	000-255	0-100%
151	Cell 7 red	000-255	0-100%
152	Cell 7 green	000-255	0-100%

153	Cell 7 blue	000-255	0-100%
154	Cell 7 white	000-255	0-100%
155	Cell 8 red	000-255	0-100%
156	Cell 8 green	000-255	0-100%
157	Cell 8 blue	000-255	0-100%
158	Cell 8 white	000-255	0-100%
159	Cell 9 red	000-255	0-100%
160	Cell 9 green	000-255	0-100%
161	Cell 9 blue	000-255	0-100%
162	Cell 9 white	000-255	0-100%
163	Cell 10 red	000-255	0-100%
164	Cell 10 green	000-255	0-100%
165	Cell 10 blue	000-255	0-100%
166	Cell 10 white	000-255	0-100%
167	Cell 11 red	000-255	0-100%

168	Cell 11 green	000-255	0-100%
169	Cell 11 blue	000-255	0-100%
170	Cell 11 white	000-255	0-100%
171	Cell 12 red	000-255	0-100%
172	Cell 12 green	000-255	0-100%
173	Cell 12 blue	000-255	0-100%
174	Cell 12 white	000-255	0-100%
175	Cell 13 red	000-255	0-100%
176	Cell 13 green	000-255	0-100%
177	Cell 13 blue	000-255	0-100%
178	Cell 13 white	000-255	0-100%
179	Cell 14 red	000-255	0-100%
180	Cell 14 green	000-255	0-100%
181	Cell 14 blue	000-255	0-100%
182	Cell 14 white	000-255	0-100%

183	Cell 15 red	000-255	0-100%
184	Cell 15 green	000-255	0-100%
185	Cell 15 blue	000-255	0-100%
186	Cell 15 white	000-255	0-100%
187	Cell 16 red	000-255	0-100%
188	Cell 16 green	000-255	0-100%
189	Cell 16 blue	000-255	0-100%
190	Cell 16 white	000-255	0-100%
191	Cell 17 red	000-255	0-100%
192	Cell 17 green	000-255	0-100%
193	Cell 17 blue	000-255	0-100%
194	Cell 17 white	000-255	0-100%
195	Cell 18 red	000-255	0-100%
196	Cell 18 green	000-255	0-100%
197	Cell 18 blue	000-255	0-100%

198	Cell 18 white	000-255	0-100%
199	Cell 19 red	000-255	0-100%
200	Cell 19 green	000-255	0-100%
201	Cell 19 blue	000-255	0-100%
202	Cell 19 white	000-255	0-100%
203	Cell 20 red	000-255	0-100%
204	Cell 20 green	000-255	0-100%
205	Cell 20 blue	000-255	0-100%
206	Cell 20 white	000-255	0-100%
207	Cell 21 red	000-255	0-100%
208	Cell 21 green	000-255	0-100%
209	Cell 21 blue	000-255	0-100%
210	Cell 21 white	000-255	0-100%
211	Cell 22 red	000-255	0-100%
212	Cell 22 green	000-255	0-100%

213	Cell 22 blue	000-255	0-100%
214	Cell 22 white	000-255	0-100%
215	Cell 23 red	000-255	0-100%
216	Cell 23 green	000-255	0-100%
217	Cell 23 blue	000-255	0-100%
218	Cell 23 white	000-255	0-100%
219	Cell 24 red	000-255	0-100%
220	Cell 24 green	000-255	0-100%
221	Cell 24 blue	000-255	0-100%
222	Cell 24 white	000-255	0-100%

DMX 512 29CHs Single Control

CH	Function	Value	Percent/Setting
1	Tilt	000-255	0-100%
2	Fine tilt	000-255	0-100%
3	E-frost	000-255	0-100%

4	Dot dimmer	000-255	0-100%
5	Dot fine dimmer	000-255	0-100%
6	Cell dimmer	000-255	0-100%
7	Cell fine dimmer	000-25	0-100%
8	Dot strobe duration	000-009	Classic shutter mode:disables duration control
		010-250	Short to long (7-650 ms)
		251-255	100%On
9	Dot strobe rate	000-009	100%On
		010-250	Slow to fast (0.289-16.67 Hz)
		251-255	100%On
10	Cell strobe duration	000-009	Classic shutter mode:disables duration control
		010-250	Short to long (7-650 ms)
		251-255	100%On
11	Cell strobe rate	000-009	100%On
		010-250	Slow to fast (0.289-16.67 Hz)

		251-255	100%On
12	Dot strobe effect	000-005	No function
		006-042	Fade up, slow to fast
		043-085	Fade down, slow to fast
		086-128	Fade up and down, slow to fast
		129-171	Random strobe, slow to fast
		172-214	Lighting strobe, slow to fast
		215-255	Spike strobe, slow to fast
13	Cell strobe effect	000-005	No function
		006-042	Fade up, slow to fast
		043-085	Fade down, slow to fast
		086-128	Fade up and down, slow to fast
		129-171	Random strobe, slow to fast
		172-214	Lighting strobe, slow to fast
		215-255	Spike strobe, slow to fast

14	Color temperature	000-255	2800-8000K
15	Dot FX macro	000-255	See the FX macro chart
16	Dot FX macro direction and speed	000-005	No function
		006-124	Left to right, fast to slow
		125-130	No function
		131-249	Right to left, slow to fast
		250-255	No function
17	Dot FX macro delay	000-002	Snap
		003-255	Fade short to long
18	Cell FX macro	000-255	See the FX macro chart
19	Cell FX macro direction and speed	000-005	No function
		006-124	Left to right, fast to slow
		125-130	No function
		131-249	Right to left, slow to fast
		250-255	No function

20	Dot FX macro delay	000-002	Snap
		003-255	Fade short to long
21	Control(hold for 3seconds)	000-255	See the control chart
22	Dot red	000-255	0-100%
23	Dot green	000-255	0-100%
24	Dot blue	000-255	0-100%
25	Dot white	000-255	0-100%
26	Cell red	000-255	0-100%
27	Cell green	000-255	0-100%
28	Cell blue	000-255	0-100%
29	Cell white	000-255	0-100%

DMX 512 30CHs Dual Control Movement

CH	Function	Value	Percent/Setting
1	Tilt	000-255	0-100%
2	Fine tilt	000-255	0-100%

3	Tilt Speed	000-255	Fast to slow
4	E-frost	000-255	0-100%
5	Dot dimmer	000-255	0-100%
6	Dot fine dimmer	000-255	0-100%
7	Cell dimmer	000-255	0-100%
8	Cell fine dimmer	000-25	0-100%
9	Dot strobe duration	000-009	Classic shutter mode:disables duration control
		010-250	Short to long (7-650 ms)
		251-255	100%On
10	Dot strobe rate	000-009	100%On
		010-250	Slow to fast (0.289-16.67 Hz)
		251-255	100%On
11	Cell strobe duration	000-009	Classic shutter mode:disables duration control
		010-250	Short to long (7-650 ms)
		251-255	100%On

12	Cell strobe rate	000-009	100%On
		010-250	Slow to fast (0.289-16.67 Hz)
		251-255	100%On
13	Dot strobe effect	000-005	No function
		006-042	Fade up, slow to fast
		043-085	Fade down, slow to fast
		086-128	Fade up and down, slow to fast
		129-171	Random strobe, slow to fast
		172-214	Lighting strobe, slow to fast
		215-255	Spike strobe, slow to fast
14	Cell strobe effect	000-005	No function
		006-042	Fade up, slow to fast
		043-085	Fade down, slow to fast
		086-128	Fade up and down, slow to fast
		129-171	Random strobe, slow to fast

		172-214	Lighting strobe, slow to fast
		215-255	Spike strobe, slow to fast
15	Color temperature	000-255	2800-8000K
16	Dot foreground dimmer	000-255	0-100%
17	Dot foreground color	000-255	See the color macro chart
18	Dot background dimmer	000-255	0-100%
19	Dot background color	000-255	See the color macro chart
20	Dot FX macro	000-255	See the FX macro chart
21	Dot FX macro direction and speed	000-005	No function
		006-124	Left to right, fast to slow
		125-130	No function
		131-249	Right to left, slow to fast
		250-255	No function
22	Dot FX macro delay	000-002	Snap
		003-255	Fade short to long

23	Cell foreground dimmer	000-255	0-100%
24	Cell foreground color	000-255	See the color macro chart
25	Cell background dimmer	000-255	0-100%
26	Cell background color	000-255	See the color macro chart
27	Cell FX macro	000-255	See the FX macro chart
28	Cell FX macro direction and speed	000-005	No function
		006-124	Left to right, fast to slow
		125-130	No function
		131-249	Right to left, slow to fast
		250-255	No function
29	Dot FX macro delay	000-002	Snap
		003-255	Fade short to long
30	Control(hold for 3seconds)	000-255	See the control chart

DMX 512 288CHs Dual Control Pixles Modes

CH	Function	Value	Percent/Setting
-----------	-----------------	--------------	------------------------

1	Dot 1 dimmer	000-255	0-100%
2	Dot 1 fine dimmer	000-255	0-100%
3	Dot 1 red	000-255	0-100%
4	Dot 1 green	000-255	0-100%
5	Dot 1 blue	000-255	0-100%
6	Dot 1 white	000-255	0-100%
7	Dot 2 dimmer	000-255	0-100%
8	Dot 2 fine dimmer	000-255	0-100%
9	Dot 2 red	000-255	0-100%
10	Dot 2 green	000-255	0-100%
11	Dot 2 blue	000-255	0-100%
12	Dot 2 white	000-255	0-100%
13	Dot 3 dimmer	000-255	0-100%
14	Dot 3 fine dimmer	000-255	0-100%
15	Dot 3 red	000-255	0-100%

16	Dot 3 green	000-255	0-100%
17	Dot 3 blue	000-255	0-100%
18	Dot 3 white	000-255	0-100%
19	Dot 4 dimmer	000-255	0-100%
20	Dot 4 fine dimmer	000-255	0-100%
21	Dot 4 red	000-255	0-100%
22	Dot 4 green	000-255	0-100%
23	Dot 4 blue	000-255	0-100%
24	Dot 4 white	000-255	0-100%
25	Dot 5 dimmer	000-255	0-100%
26	Dot 5 fine dimmer	000-255	0-100%
27	Dot 5 red	000-255	0-100%
28	Dot 5 green	000-255	0-100%
29	Dot 5 blue	000-255	0-100%
30	Dot 5 white	000-255	0-100%

31	Dot 6 dimmer	000-255	0-100%
32	Dot 6 fine dimmer	000-255	0-100%
33	Dot 6 red	000-255	0-100%
34	Dot 6 green	000-255	0-100%
35	Dot 6 blue	000-255	0-100%
36	Dot 6 white	000-255	0-100%
37	Dot 7 dimmer	000-255	0-100%
38	Dot 7 fine dimmer	000-255	0-100%
39	Dot 7 red	000-255	0-100%
40	Dot 7 green	000-255	0-100%
41	Dot 7 blue	000-255	0-100%
42	Dot 7 white	000-255	0-100%
43	Dot 8 dimmer	000-255	0-100%
44	Dot 8 fine dimmer	000-255	0-100%
45	Dot 8 red	000-255	0-100%

46	Dot 8 green	000-255	0-100%
47	Dot 8 blue	000-255	0-100%
48	Dot 8 white	000-255	0-100%
49	Dot 9 dimmer	000-255	0-100%
50	Dot 9 fine dimmer	000-255	0-100%
51	Dot 9 red	000-255	0-100%
52	Dot 9 green	000-255	0-100%
53	Dot 9 blue	000-255	0-100%
54	Dot 9 white	000-255	0-100%
55	Dot 10 dimmer	000-255	0-100%
56	Dot 10 fine dimmer	000-255	0-100%
57	Dot 10 red	000-255	0-100%
58	Dot 10 green	000-255	0-100%
59	Dot 10 blue	000-255	0-100%
60	Dot 10 white	000-255	0-100%

61	Dot 11 dimmer	000-255	0-100%
62	Dot 11 fine dimmer	000-255	0-100%
63	Dot 11 red	000-255	0-100%
64	Dot 11 green	000-255	0-100%
65	Dot 11 blue	000-255	0-100%
66	Dot 11 white	000-255	0-100%
67	Dot 12 dimmer	000-255	0-100%
68	Dot 12 fine dimmer	000-255	0-100%
69	Dot 12 red	000-255	0-100%
70	Dot 12 green	000-255	0-100%
71	Dot 12 blue	000-255	0-100%
72	Dot 12 white	000-255	0-100%
73	Dot 13 dimmer	000-255	0-100%
74	Dot 13 fine dimmer	000-255	0-100%
75	Dot 13 red	000-255	0-100%

76	Dot 13 green	000-255	0-100%
77	Dot 13 blue	000-255	0-100%
78	Dot 13 white	000-255	0-100%
79	Dot 14 dimmer	000-255	0-100%
80	Dot 14 fine dimmer	000-255	0-100%
81	Dot 14 red	000-255	0-100%
82	Dot 14 green	000-255	0-100%
83	Dot 14 blue	000-255	0-100%
84	Dot 14 white	000-255	0-100%
85	Dot 15 dimmer	000-255	0-100%
86	Dot 15 fine dimmer	000-255	0-100%
87	Dot 15 red	000-255	0-100%
88	Dot 15 green	000-255	0-100%
89	Dot 15 blue	000-255	0-100%
90	Dot 15 white	000-255	0-100%

91	Dot 16 dimmer	000-255	0-100%
92	Dot 16 fine dimmer	000-255	0-100%
93	Dot 16 red	000-255	0-100%
94	Dot 16 green	000-255	0-100%
95	Dot 16 blue	000-255	0-100%
96	Dot 16 white	000-255	0-100%
97	Dot 17 dimmer	000-255	0-100%
98	Dot 17 fine dimmer	000-255	0-100%
99	Dot 17 red	000-255	0-100%
100	Dot 17 green	000-255	0-100%
101	Dot 17 blue	000-255	0-100%
102	Dot 17 white	000-255	0-100%
103	Dot 18 dimmer	000-255	0-100%
104	Dot 18 fine dimmer	000-255	0-100%
105	Dot 18 red	000-255	0-100%

106	Dot 18 green	000-255	0-100%
107	Dot 18 blue	000-255	0-100%
108	Dot 18 white	000-255	0-100%
109	Dot 19 dimmer	000-255	0-100%
110	Dot 19 fine dimmer	000-255	0-100%
111	Dot 19 red	000-255	0-100%
112	Dot 19 green	000-255	0-100%
113	Dot 19 blue	000-255	0-100%
114	Dot 19 white	000-255	0-100%
115	Dot 20 dimmer	000-255	0-100%
116	Dot 20 fine dimmer	000-255	0-100%
117	Dot 20 red	000-255	0-100%
118	Dot 20 green	000-255	0-100%
119	Dot 20 blue	000-255	0-100%
120	Dot 20 white	000-255	0-100%

121	Dot 21 dimmer	000-255	0-100%
122	Dot 21 fine dimmer	000-255	0-100%
123	Dot 21 red	000-255	0-100%
124	Dot 21 green	000-255	0-100%
125	Dot 21 blue	000-255	0-100%
126	Dot 21 white	000-255	0-100%
127	Dot 22 dimmer	000-255	0-100%
128	Dot 22 fine dimmer	000-255	0-100%
129	Dot 22 red	000-255	0-100%
130	Dot 22 green	000-255	0-100%
131	Dot 22 blue	000-255	0-100%
132	Dot 22 white	000-255	0-100%
133	Dot 23 dimmer	000-255	0-100%
134	Dot 23 fine dimmer	000-255	0-100%
135	Dot 23 red	000-255	0-100%

136	Dot 23 green	000-255	0-100%
137	Dot 23 blue	000-255	0-100%
138	Dot 23 white	000-255	0-100%
139	Dot 24 dimmer	000-255	0-100%
140	Dot 24 fine dimmer	000-255	0-100%
141	Dot 24 red	000-255	0-100%
142	Dot 24 green	000-255	0-100%
143	Dot 24 blue	000-255	0-100%
144	Dot 24 white	000-255	0-100%
145	Cell 1 dimmer	000-255	0-100%
146	Cell 1 fine dimmer	000-255	0-100%
147	Cell 1 red	000-255	0-100%
148	Cell 1 green	000-255	0-100%
149	Cell 1 blue	000-255	0-100%
150	Cell 1 white	000-255	0-100%

151	Cell 2 dimmer	000-255	0-100%
152	Cell 2 fine dimmer	000-255	0-100%
153	Cell 2 red	000-255	0-100%
154	Cell 2 green	000-255	0-100%
155	Cell 2 blue	000-255	0-100%
156	Cell 2 white	000-255	0-100%
157	Cell 3 dimmer	000-255	0-100%
158	Cell 3 fine dimmer	000-255	0-100%
159	Cell 3 red	000-255	0-100%
160	Cell 3 green	000-255	0-100%
161	Cell 3 blue	000-255	0-100%
162	Cell 3 white	000-255	0-100%
163	Cell 4 dimmer	000-255	0-100%
164	Cell 4 fine dimmer	000-255	0-100%
165	Cell 4 red	000-255	0-100%

166	Cell 4 green	000-255	0-100%
167	Cell 4 blue	000-255	0-100%
168	Cell 4 white	000-255	0-100%
169	Cell 5 dimmer	000-255	0-100%
170	Cell 5 fine dimmer	000-255	0-100%
171	Cell 5 red	000-255	0-100%
172	Cell 5 green	000-255	0-100%
173	Cell 5 blue	000-255	0-100%
174	Cell 5 white	000-255	0-100%
175	Cell 6 dimmer	000-255	0-100%
176	Cell 6 fine dimmer	000-255	0-100%
177	Cell 6 red	000-255	0-100%
178	Cell 6 green	000-255	0-100%
179	Cell 6 blue	000-255	0-100%
180	Cell 6 white	000-255	0-100%

181	Cell 7 dimmer	000-255	0-100%
182	Cell 7 fine dimmer	000-255	0-100%
183	Cell 7 red	000-255	0-100%
184	Cell 7 green	000-255	0-100%
185	Cell 7 blue	000-255	0-100%
186	Cell 7 white	000-255	0-100%
187	Cell 8 dimmer	000-255	0-100%
188	Cell 8 fine dimmer	000-255	0-100%
189	Cell 8 red	000-255	0-100%
190	Cell 8 green	000-255	0-100%
191	Cell 8 blue	000-255	0-100%
192	Cell 8 white	000-255	0-100%
193	Cell 9 dimmer	000-255	0-100%
194	Cell 9 fine dimmer	000-255	0-100%
195	Cell 9 red	000-255	0-100%

196	Cell 9 green	000-255	0-100%
197	Cell 9 blue	000-255	0-100%
198	Cell 9 white	000-255	0-100%
199	Cell 10 dimmer	000-255	0-100%
200	Cell 10 fine dimmer	000-255	0-100%
201	Cell 10 red	000-255	0-100%
202	Cell 10 green	000-255	0-100%
203	Cell 10 blue	000-255	0-100%
204	Cell 10 white	000-255	0-100%
205	Cell 11 dimmer	000-255	0-100%
206	Cell 11 fine dimmer	000-255	0-100%
207	Cell 11 red	000-255	0-100%
208	Cell 11 green	000-255	0-100%
209	Cell 11 blue	000-255	0-100%
210	Cell 11 white	000-255	0-100%

211	Cell 12 dimmer	000-255	0-100%
212	Cell 12 fine dimmer	000-255	0-100%
213	Cell 12 red	000-255	0-100%
214	Cell 12 green	000-255	0-100%
215	Cell 12 blue	000-255	0-100%
216	Cell 12 white	000-255	0-100%
217	Cell 13 dimmer	000-255	0-100%
218	Cell 13 fine dimmer	000-255	0-100%
219	Cell 13 red	000-255	0-100%
220	Cell 13 green	000-255	0-100%
221	Cell 13 blue	000-255	0-100%
222	Cell 13 white	000-255	0-100%
223	Cell 14 dimmer	000-255	0-100%
224	Cell 14 fine dimmer	000-255	0-100%
225	Cell 14 red	000-255	0-100%

226	Cell 14 green	000-255	0-100%
227	Cell 14 blue	000-255	0-100%
228	Cell 14 white	000-255	0-100%
229	Cell 15 dimmer	000-255	0-100%
230	Cell 15 fine dimmer	000-255	0-100%
231	Cell 15 red	000-255	0-100%
232	Cell 15 green	000-255	0-100%
233	Cell 15 blue	000-255	0-100%
234	Cell 15 white	000-255	0-100%
235	Cell 16 dimmer	000-255	0-100%
236	Cell 16 fine dimmer	000-255	0-100%
237	Cell 16 red	000-255	0-100%
238	Cell 16 green	000-255	0-100%
239	Cell 16 blue	000-255	0-100%
240	Cell 16 white	000-255	0-100%

241	Cell 17 dimmer	000-255	0-100%
242	Cell 17 fine dimmer	000-255	0-100%
243	Cell 17 red	000-255	0-100%
244	Cell 17 green	000-255	0-100%
245	Cell 17 blue	000-255	0-100%
246	Cell 17 white	000-255	0-100%
247	Cell 18 dimmer	000-255	0-100%
248	Cell 18 fine dimmer	000-255	0-100%
249	Cell 18 red	000-255	0-100%
250	Cell 18 green	000-255	0-100%
251	Cell 18 blue	000-255	0-100%
252	Cell 18 white	000-255	0-100%
253	Cell 19 dimmer	000-255	0-100%
254	Cell 19 fine dimmer	000-255	0-100%
255	Cell 19 red	000-255	0-100%

256	Cell 19 green	000-255	0-100%
257	Cell 19 blue	000-255	0-100%
258	Cell 19 white	000-255	0-100%
259	Cell 20 dimmer	000-255	0-100%
260	Cell 20 fine dimmer	000-255	0-100%
261	Cell 20 red	000-255	0-100%
262	Cell 20 green	000-255	0-100%
263	Cell 20 blue	000-255	0-100%
264	Cell 20 white	000-255	0-100%
265	Cell 21 dimmer	000-255	0-100%
266	Cell 21 fine dimmer	000-255	0-100%
267	Cell 21 red	000-255	0-100%
268	Cell 21 green	000-255	0-100%
269	Cell 21 blue	000-255	0-100%
270	Cell 21 white	000-255	0-100%

271	Cell 22 dimmer	000-255	0-100%
272	Cell 22 fine dimmer	000-255	0-100%
273	Cell 22 red	000-255	0-100%
274	Cell 22 green	000-255	0-100%
275	Cell 22 blue	000-255	0-100%
276	Cell 22 white	000-255	0-100%
277	Cell 23 dimmer	000-255	0-100%
278	Cell 23 fine dimmer	000-255	0-100%
279	Cell 23 red	000-255	0-100%
280	Cell 23 green	000-255	0-100%
281	Cell 23 blue	000-255	0-100%
282	Cell 23 white	000-255	0-100%
283	Cell 24 dimmer	000-255	0-100%
284	Cell 24 fine dimmer	000-255	0-100%
285	Cell 24 red	000-255	0-100%

286	Cell 24 green	000-255	0-100%
287	Cell 24 blue	000-255	0-100%
288	Cell 24 white	000-255	0-100%

DMX 512 244CHs Dual Control Pixles Modes

CH	Function	Value	Percent/Setting
1	Dot 1 dimmer	000-255	0-100%
2	Dot 1 fine dimmer	000-255	0-100%
3	Dot 1 red	000-255	0-100%
4	Dot 1 green	000-255	0-100%
5	Dot 1 blue	000-255	0-100%
6	Dot 2 dimmer	000-255	0-100%
7	Dot 2 fine dimmer	000-255	0-100%
8	Dot 2 red	000-255	0-100%
9	Dot 2 green	000-255	0-100%
10	Dot 2 blue	000-255	0-100%

11	Dot 3 dimmer	000-255	0-100%
12	Dot 3 fine dimmer	000-255	0-100%
13	Dot 3 red	000-255	0-100%
14	Dot 3 green	000-255	0-100%
15	Dot 3 blue	000-255	0-100%
16	Dot 4 dimmer	000-255	0-100%
17	Dot 4 fine dimmer	000-255	0-100%
18	Dot 4 red	000-255	0-100%
19	Dot 4 green	000-255	0-100%
20	Dot 4 blue	000-255	0-100%
21	Dot 5 dimmer	000-255	0-100%
22	Dot 5 fine dimmer	000-255	0-100%
23	Dot 5 red	000-255	0-100%
24	Dot 5 green	000-255	0-100%
25	Dot 5 blue	000-255	0-100%

26	Dot 6 dimmer	000-255	0-100%
27	Dot 6 fine dimmer	000-255	0-100%
28	Dot 6 red	000-255	0-100%
29	Dot 6 green	000-255	0-100%
30	Dot 6 blue	000-255	0-100%
31	Dot 7 dimmer	000-255	0-100%
32	Dot 7 fine dimmer	000-255	0-100%
33	Dot 7 red	000-255	0-100%
34	Dot 7 green	000-255	0-100%
35	Dot 7 blue	000-255	0-100%
36	Dot 8 dimmer	000-255	0-100%
37	Dot 8 fine dimmer	000-255	0-100%
38	Dot 8 red	000-255	0-100%
39	Dot 8 green	000-255	0-100%
40	Dot 8 blue	000-255	0-100%

41	Dot 9 dimmer	000-255	0-100%
42	Dot 9 fine dimmer	000-255	0-100%
43	Dot 9 red	000-255	0-100%
44	Dot 9 green	000-255	0-100%
45	Dot 9 blue	000-255	0-100%
46	Dot 10 dimmer	000-255	0-100%
47	Dot 10 fine dimmer	000-255	0-100%
48	Dot 10 red	000-255	0-100%
49	Dot 10 green	000-255	0-100%
50	Dot 10 blue	000-255	0-100%
51	Dot 11 dimmer	000-255	0-100%
52	Dot 11 fine dimmer	000-255	0-100%
53	Dot 11 red	000-255	0-100%
54	Dot 11 green	000-255	0-100%
55	Dot 11 blue	000-255	0-100%

56	Dot 12 dimmer	000-255	0-100%
57	Dot 12 fine dimmer	000-255	0-100%
58	Dot 12 red	000-255	0-100%
59	Dot 12 green	000-255	0-100%
60	Dot 12 blue	000-255	0-100%
61	Dot 13 dimmer	000-255	0-100%
62	Dot 13 fine dimmer	000-255	0-100%
63	Dot 13 red	000-255	0-100%
64	Dot 13 green	000-255	0-100%
65	Dot 13 blue	000-255	0-100%
66	Dot 14 dimmer	000-255	0-100%
67	Dot 14 fine dimmer	000-255	0-100%
68	Dot 14 red	000-255	0-100%
69	Dot 14 green	000-255	0-100%
70	Dot 14 blue	000-255	0-100%

71	Dot 15 dimmer	000-255	0-100%
72	Dot 15 fine dimmer	000-255	0-100%
73	Dot 15 red	000-255	0-100%
74	Dot 15 green	000-255	0-100%
75	Dot 15 blue	000-255	0-100%
76	Dot 16 dimmer	000-255	0-100%
77	Dot 16 fine dimmer	000-255	0-100%
78	Dot 16 red	000-255	0-100%
79	Dot 16 green	000-255	0-100%
80	Dot 16 blue	000-255	0-100%
81	Dot 17 dimmer	000-255	0-100%
82	Dot 17 fine dimmer	000-255	0-100%
83	Dot 17 red	000-255	0-100%
84	Dot 17 green	000-255	0-100%
85	Dot 17 blue	000-255	0-100%

86	Dot 18 dimmer	000-255	0-100%
87	Dot 18 fine dimmer	000-255	0-100%
88	Dot 18 red	000-255	0-100%
89	Dot 18 green	000-255	0-100%
90	Dot 18 blue	000-255	0-100%
91	Dot 19 dimmer	000-255	0-100%
92	Dot 19 fine dimmer	000-255	0-100%
93	Dot 19 red	000-255	0-100%
94	Dot 19 green	000-255	0-100%
95	Dot 19 blue	000-255	0-100%
96	Dot 20 dimmer	000-255	0-100%
97	Dot 20 fine dimmer	000-255	0-100%
98	Dot 20 red	000-255	0-100%
99	Dot 20 green	000-255	0-100%
100	Dot 20 blue	000-255	0-100%

101	Dot 21 dimmer	000-255	0-100%
102	Dot 21 fine dimmer	000-255	0-100%
103	Dot 21 red	000-255	0-100%
104	Dot 21 green	000-255	0-100%
105	Dot 21 blue	000-255	0-100%
106	Dot 22 dimmer	000-255	0-100%
107	Dot 22 fine dimmer	000-255	0-100%
108	Dot 22 red	000-255	0-100%
109	Dot 22 green	000-255	0-100%
110	Dot 22 blue	000-255	0-100%
111	Dot 23 dimmer	000-255	0-100%
112	Dot 23 fine dimmer	000-255	0-100%
113	Dot 23 red	000-255	0-100%
114	Dot 23 green	000-255	0-100%
115	Dot 23 blue	000-255	0-100%

116	Dot 24 dimmer	000-255	0-100%
117	Dot 24 fine dimmer	000-255	0-100%
118	Dot 24 red	000-255	0-100%
119	Dot 24 green	000-255	0-100%
120	Dot 24 blue	000-255	0-100%
121	Cell 1 dimmer	000-255	0-100%
122	Cell 1 fine dimmer	000-255	0-100%
123	Cell 1 red	000-255	0-100%
124	Cell 1 green	000-255	0-100%
125	Cell 1 blue	000-255	0-100%
126	Cell 2 dimmer	000-255	0-100%
127	Cell 2 fine dimmer	000-255	0-100%
128	Cell 2 red	000-255	0-100%
129	Cell 2 green	000-255	0-100%
130	Cell 2 blue	000-255	0-100%

131	Cell 3 dimmer	000-255	0-100%
132	Cell 3 fine dimmer	000-255	0-100%
133	Cell 3 red	000-255	0-100%
134	Cell 3 green	000-255	0-100%
135	Cell 3 blue	000-255	0-100%
136	Cell 4 dimmer	000-255	0-100%
137	Cell 4 fine dimmer	000-255	0-100%
138	Cell 4 red	000-255	0-100%
139	Cell 4 green	000-255	0-100%
140	Cell 4 blue	000-255	0-100%
141	Cell 5 dimmer	000-255	0-100%
142	Cell 5 fine dimmer	000-255	0-100%
143	Cell 5 red	000-255	0-100%
144	Cell 5 green	000-255	0-100%
145	Cell 5 blue	000-255	0-100%

146	Cell 6 dimmer	000-255	0-100%
147	Cell 6 fine dimmer	000-255	0-100%
148	Cell 6 red	000-255	0-100%
149	Cell 6 green	000-255	0-100%
150	Cell 6 blue	000-255	0-100%
151	Cell 7 dimmer	000-255	0-100%
152	Cell 7 fine dimmer	000-255	0-100%
153	Cell 7 red	000-255	0-100%
154	Cell 7 green	000-255	0-100%
155	Cell 7 blue	000-255	0-100%
156	Cell 8 dimmer	000-255	0-100%
157	Cell 8 fine dimmer	000-255	0-100%
158	Cell 8 red	000-255	0-100%
159	Cell 8 green	000-255	0-100%
160	Cell 8 blue	000-255	0-100%

161	Cell 9 dimmer	000-255	0-100%
162	Cell 9 fine dimmer	000-255	0-100%
163	Cell 9 red	000-255	0-100%
164	Cell 9 green	000-255	0-100%
165	Cell 9 blue	000-255	0-100%
166	Cell 10 dimmer	000-255	0-100%
167	Cell 10 fine dimmer	000-255	0-100%
168	Cell 10 red	000-255	0-100%
169	Cell 10 green	000-255	0-100%
170	Cell 10 blue	000-255	0-100%
171	Cell 11 dimmer	000-255	0-100%
172	Cell 11 fine dimmer	000-255	0-100%
173	Cell 11 red	000-255	0-100%
174	Cell 11 green	000-255	0-100%
175	Cell 11 blue	000-255	0-100%

176	Cell 12 dimmer	000-255	0-100%
177	Cell 12 fine dimmer	000-255	0-100%
178	Cell 12 red	000-255	0-100%
179	Cell 12 green	000-255	0-100%
180	Cell 12 blue	000-255	0-100%
181	Cell 13 dimmer	000-255	0-100%
182	Cell 13 fine dimmer	000-255	0-100%
183	Cell 13 red	000-255	0-100%
184	Cell 13 green	000-255	0-100%
185	Cell 13 blue	000-255	0-100%
186	Cell 14 dimmer	000-255	0-100%
187	Cell 14 fine dimmer	000-255	0-100%
188	Cell 14 red	000-255	0-100%
189	Cell 14 green	000-255	0-100%
190	Cell 14 blue	000-255	0-100%

191	Cell 15 dimmer	000-255	0-100%
192	Cell 15 fine dimmer	000-255	0-100%
193	Cell 15 red	000-255	0-100%
194	Cell 15 green	000-255	0-100%
195	Cell 15 blue	000-255	0-100%
196	Cell 16 dimmer	000-255	0-100%
197	Cell 16 fine dimmer	000-255	0-100%
198	Cell 16 red	000-255	0-100%
199	Cell 16 green	000-255	0-100%
200	Cell 16 blue	000-255	0-100%
201	Cell 17 dimmer	000-255	0-100%
202	Cell 17 fine dimmer	000-255	0-100%
203	Cell 17 red	000-255	0-100%
204	Cell 17 green	000-255	0-100%
205	Cell 17 blue	000-255	0-100%

206	Cell 18 dimmer	000-255	0-100%
207	Cell 18 fine dimmer	000-255	0-100%
208	Cell 18 red	000-255	0-100%
209	Cell 18 green	000-255	0-100%
210	Cell 18 blue	000-255	0-100%
211	Cell 19 dimmer	000-255	0-100%
212	Cell 19 fine dimmer	000-255	0-100%
213	Cell 19 red	000-255	0-100%
214	Cell 19 green	000-255	0-100%
215	Cell 19 blue	000-255	0-100%
216	Cell 20 dimmer	000-255	0-100%
217	Cell 20 fine dimmer	000-255	0-100%
218	Cell 20 red	000-255	0-100%
219	Cell 20 green	000-255	0-100%
220	Cell 20 blue	000-255	0-100%

221	Cell 21 dimmer	000-255	0-100%
222	Cell 21 fine dimmer	000-255	0-100%
223	Cell 21 red	000-255	0-100%
224	Cell 21 green	000-255	0-100%
225	Cell 21 blue	000-255	0-100%
226	Cell 22 dimmer	000-255	0-100%
227	Cell 22 fine dimmer	000-255	0-100%
228	Cell 22 red	000-255	0-100%
229	Cell 22 green	000-255	0-100%
230	Cell 22 blue	000-255	0-100%
231	Cell 23 dimmer	000-255	0-100%
232	Cell 23 fine dimmer	000-255	0-100%
233	Cell 23 red	000-255	0-100%
234	Cell 23 green	000-255	0-100%
235	Cell 23 blue	000-255	0-100%

236	Cell 24 dimmer	000-255	0-100%
237	Cell 24 fine dimmer	000-255	0-100%
238	Cell 24 red	000-255	0-100%
239	Cell 24 green	000-255	0-100%
240	Cell 24 blue	000-255	0-100%

DMX 512 192CHs Dual Control Pixles Modes

CH	Function	Value	Percent/Setting
1	Dot 1 red	000-255	0-100%
2	Dot 1 green	000-255	0-100%
3	Dot 1 blue	000-255	0-100%
4	Dot 1 white	000-255	0-100%
5	Dot 2 red	000-255	0-100%
6	Dot 2 green	000-255	0-100%
7	Dot 2 blue	000-255	0-100%
8	Dot 2 white	000-255	0-100%

9	Dot 3 red	000-255	0-100%
10	Dot 3 green	000-255	0-100%
11	Dot 3 blue	000-255	0-100%
12	Dot 3 white	000-255	0-100%
13	Dot 4 red	000-255	0-100%
14	Dot 4 green	000-255	0-100%
15	Dot 4 blue	000-255	0-100%
16	Dot 4 white	000-255	0-100%
17	Dot 5 red	000-255	0-100%
18	Dot 5 green	000-255	0-100%
19	Dot 5 blue	000-255	0-100%
20	Dot 5 white	000-255	0-100%
21	Dot 6 red	000-255	0-100%
22	Dot 6 green	000-255	0-100%
23	Dot 6 blue	000-255	0-100%

24	Dot 6 white	000-255	0-100%
25	Dot 7 red	000-255	0-100%
26	Dot 7 green	000-255	0-100%
27	Dot 7 blue	000-255	0-100%
28	Dot 7 white	000-255	0-100%
29	Dot 8 red	000-255	0-100%
30	Dot 8 green	000-255	0-100%
31	Dot 8 blue	000-255	0-100%
32	Dot 8 white	000-255	0-100%
33	Dot 9 red	000-255	0-100%
34	Dot 9 green	000-255	0-100%
35	Dot 9 blue	000-255	0-100%
36	Dot 9 white	000-255	0-100%
37	Dot 10 red	000-255	0-100%
38	Dot 10 green	000-255	0-100%

39	Dot 10 blue	000-255	0-100%
40	Dot 10 white	000-255	0-100%
41	Dot 11 red	000-255	0-100%
42	Dot 11 green	000-255	0-100%
43	Dot 11 blue	000-255	0-100%
44	Dot 11 white	000-255	0-100%
45	Dot 12 red	000-255	0-100%
46	Dot 12 green	000-255	0-100%
47	Dot 12 blue	000-255	0-100%
48	Dot 12 white	000-255	0-100%
49	Dot 13 red	000-255	0-100%
50	Dot 13 green	000-255	0-100%
51	Dot 13 blue	000-255	0-100%
52	Dot 13 white	000-255	0-100%
53	Dot 14 red	000-255	0-100%

54	Dot 14 green	000-255	0-100%
55	Dot 14 blue	000-255	0-100%
56	Dot 14 white	000-255	0-100%
57	Dot 15 red	000-255	0-100%
58	Dot 15 green	000-255	0-100%
59	Dot 15 blue	000-255	0-100%
60	Dot 15 white	000-255	0-100%
61	Dot 16 red	000-255	0-100%
62	Dot 16 green	000-255	0-100%
63	Dot 16 blue	000-255	0-100%
64	Dot 16 white	000-255	0-100%
65	Dot 17 red	000-255	0-100%
66	Dot 17 green	000-255	0-100%
67	Dot 17 blue	000-255	0-100%
68	Dot 17 white	000-255	0-100%

69	Dot 18 red	000-255	0-100%
70	Dot 18 green	000-255	0-100%
71	Dot 18 blue	000-255	0-100%
72	Dot 18 white	000-255	0-100%
73	Dot 19 red	000-255	0-100%
74	Dot 19 green	000-255	0-100%
75	Dot 19 blue	000-255	0-100%
76	Dot 19 white	000-255	0-100%
77	Dot 20 red	000-255	0-100%
78	Dot 20 green	000-255	0-100%
79	Dot 20 blue	000-255	0-100%
80	Dot 20 white	000-255	0-100%
81	Dot 21 red	000-255	0-100%
82	Dot 21 green	000-255	0-100%
83	Dot 21 blue	000-255	0-100%

84	Dot 21 white	000-255	0-100%
85	Dot 22 red	000-255	0-100%
86	Dot 22 green	000-255	0-100%
87	Dot 22 blue	000-255	0-100%
88	Dot 22 white	000-255	0-100%
89	Dot 23 red	000-255	0-100%
90	Dot 23 green	000-255	0-100%
91	Dot 23 blue	000-255	0-100%
92	Dot 23 white	000-255	0-100%
93	Dot 24 red	000-255	0-100%
94	Dot 24 green	000-255	0-100%
95	Dot 24 blue	000-255	0-100%
96	Dot 24 white	000-255	0-100%
97	Cell 1 red	000-255	0-100%
98	Cell 1 green	000-255	0-100%

99	Cell 1 blue	000-255	0-100%
100	Cell 1 white	000-255	0-100%
101	Cell 2 red	000-255	0-100%
102	Cell 2 green	000-255	0-100%
103	Cell 2 blue	000-255	0-100%
104	Cell 2 white	000-255	0-100%
105	Cell 3 red	000-255	0-100%
106	Cell 3 green	000-255	0-100%
107	Cell 3 blue	000-255	0-100%
108	Cell 3 white	000-255	0-100%
109	Cell 4 red	000-255	0-100%
110	Cell 4 green	000-255	0-100%
111	Cell 4 blue	000-255	0-100%
112	Cell 4 white	000-255	0-100%
113	Cell 5 red	000-255	0-100%

114	Cell 5 green	000-255	0-100%
115	Cell 5 blue	000-255	0-100%
116	Cell 5 white	000-255	0-100%
117	Cell 6 red	000-255	0-100%
118	Cell 6 green	000-255	0-100%
119	Cell 6 blue	000-255	0-100%
120	Cell 6 white	000-255	0-100%
121	Cell 7 red	000-255	0-100%
122	Cell 7 green	000-255	0-100%
123	Cell 7 blue	000-255	0-100%
124	Cell 7 white	000-255	0-100%
125	Cell 8 red	000-255	0-100%
126	Cell 8 green	000-255	0-100%
127	Cell 8 blue	000-255	0-100%
128	Cell 8 white	000-255	0-100%

129	Cell 9 red	000-255	0-100%
130	Cell 9 green	000-255	0-100%
131	Cell 9 blue	000-255	0-100%
132	Cell 9 white	000-255	0-100%
133	Cell 10 red	000-255	0-100%
134	Cell 10 green	000-255	0-100%
135	Cell 10 blue	000-255	0-100%
136	Cell 10 white	000-255	0-100%
137	Cell 11 red	000-255	0-100%
138	Cell 11 green	000-255	0-100%
139	Cell 11 blue	000-255	0-100%
140	Cell 11 white	000-255	0-100%
141	Cell 12 red	000-255	0-100%
142	Cell 12 green	000-255	0-100%
143	Cell 12 blue	000-255	0-100%

144	Cell 12 white	000-255	0-100%
145	Cell 13 red	000-255	0-100%
146	Cell 13 green	000-255	0-100%
147	Cell 13 blue	000-255	0-100%
148	Cell 13 white	000-255	0-100%
149	Cell 14 red	000-255	0-100%
150	Cell 14 green	000-255	0-100%
151	Cell 14 blue	000-255	0-100%
152	Cell 14 white	000-255	0-100%
153	Cell 15 red	000-255	0-100%
154	Cell 15 green	000-255	0-100%
155	Cell 15 blue	000-255	0-100%
156	Cell 15 white	000-255	0-100%
157	Cell 16 red	000-255	0-100%
158	Cell 16 green	000-255	0-100%

159	Cell 16 blue	000-255	0-100%
160	Cell 16 white	000-255	0-100%
161	Cell 17 red	000-255	0-100%
162	Cell 17 green	000-255	0-100%
163	Cell 17 blue	000-255	0-100%
164	Cell 17 white	000-255	0-100%
165	Cell 18 red	000-255	0-100%
166	Cell 18 green	000-255	0-100%
167	Cell 18 blue	000-255	0-100%
168	Cell 18 white	000-255	0-100%
169	Cell 19 red	000-255	0-100%
170	Cell 19 green	000-255	0-100%
171	Cell 19 blue	000-255	0-100%
172	Cell 19 white	000-255	0-100%
173	Cell 20 red	000-255	0-100%

174	Cell 20 green	000-255	0-100%
175	Cell 20 blue	000-255	0-100%
176	Cell 20 white	000-255	0-100%
177	Cell 21 red	000-255	0-100%
178	Cell 21 green	000-255	0-100%
179	Cell 21 blue	000-255	0-100%
180	Cell 21 white	000-255	0-100%
181	Cell 22 red	000-255	0-100%
182	Cell 22 green	000-255	0-100%
183	Cell 22 blue	000-255	0-100%
184	Cell 22 white	000-255	0-100%
185	Cell 23 red	000-255	0-100%
186	Cell 23 green	000-255	0-100%
187	Cell 23 blue	000-255	0-100%
188	Cell 23 white	000-255	0-100%

189	Cell 24 red	000-255	0-100%
190	Cell 24 green	000-255	0-100%
191	Cell 24 blue	000-255	0-100%
192	Cell 24 white	000-255	0-100%

DMX 512 144CHs Dual Control Pixles Modes

CH	Function	Value	Percent/Setting
1	Dot 1 red	000-255	0-100%
2	Dot 1 green	000-255	0-100%
3	Dot 1 blue	000-255	0-100%
4	Dot 2 red	000-255	0-100%
5	Dot 2 green	000-255	0-100%
6	Dot 2 blue	000-255	0-100%
7	Dot 3 red	000-255	0-100%
8	Dot 3 green	000-255	0-100%
9	Dot 3 blue	000-255	0-100%

10	Dot 4 red	000-255	0-100%
11	Dot 4 green	000-255	0-100%
12	Dot 4 blue	000-255	0-100%
13	Dot 5 red	000-255	0-100%
14	Dot 5 green	000-255	0-100%
15	Dot 5 blue	000-255	0-100%
16	Dot 6 red	000-255	0-100%
17	Dot 6 green	000-255	0-100%
18	Dot 6 blue	000-255	0-100%
19	Dot 7 red	000-255	0-100%
20	Dot 7 green	000-255	0-100%
21	Dot 7 blue	000-255	0-100%
22	Dot 8 red	000-255	0-100%
23	Dot 8 green	000-255	0-100%
24	Dot 8 blue	000-255	0-100%

25	Dot 9 red	000-255	0-100%
26	Dot 9 green	000-255	0-100%
27	Dot 9 blue	000-255	0-100%
28	Dot 10 red	000-255	0-100%
29	Dot 10 green	000-255	0-100%
30	Dot 10 blue	000-255	0-100%
31	Dot 11 red	000-255	0-100%
32	Dot 11 green	000-255	0-100%
33	Dot 11 blue	000-255	0-100%
34	Dot 12 red	000-255	0-100%
35	Dot 12 green	000-255	0-100%
36	Dot 12 blue	000-255	0-100%
37	Dot 13 red	000-255	0-100%
38	Dot 13 green	000-255	0-100%
39	Dot 13 blue	000-255	0-100%

40	Dot 14 red	000-255	0-100%
41	Dot 14 green	000-255	0-100%
42	Dot 14 blue	000-255	0-100%
43	Dot 15 red	000-255	0-100%
44	Dot 15 green	000-255	0-100%
45	Dot 15 blue	000-255	0-100%
46	Dot 16 red	000-255	0-100%
47	Dot 16 green	000-255	0-100%
48	Dot 16 blue	000-255	0-100%
49	Dot 17 red	000-255	0-100%
50	Dot 17 green	000-255	0-100%
51	Dot 17 blue	000-255	0-100%
52	Dot 18 red	000-255	0-100%
53	Dot 18 green	000-255	0-100%
54	Dot 18 blue	000-255	0-100%

55	Dot 19 red	000-255	0-100%
56	Dot 19 green	000-255	0-100%
57	Dot 19 blue	000-255	0-100%
58	Dot 20 red	000-255	0-100%
59	Dot 20 green	000-255	0-100%
60	Dot 20 blue	000-255	0-100%
61	Dot 21 red	000-255	0-100%
62	Dot 21 green	000-255	0-100%
63	Dot 21 blue	000-255	0-100%
64	Dot 22 red	000-255	0-100%
65	Dot 22 green	000-255	0-100%
66	Dot 22 blue	000-255	0-100%
67	Dot 23 red	000-255	0-100%
68	Dot 23 green	000-255	0-100%
69	Dot 23 blue	000-255	0-100%

70	Dot 24 red	000-255	0-100%
71	Dot 24 green	000-255	0-100%
72	Dot 24 blue	000-255	0-100%
73	Cell 1 red	000-255	0-100%
74	Cell 1 green	000-255	0-100%
75	Cell 1 blue	000-255	0-100%
76	Cell 2 red	000-255	0-100%
77	Cell 2 green	000-255	0-100%
78	Cell 2 blue	000-255	0-100%
79	Cell 3 red	000-255	0-100%
80	Cell 3 green	000-255	0-100%
81	Cell 3 blue	000-255	0-100%
82	Cell 4 red	000-255	0-100%
83	Cell 4 green	000-255	0-100%
84	Cell 4 blue	000-255	0-100%

85	Cell 5 red	000-255	0-100%
86	Cell 5 green	000-255	0-100%
87	Cell 5 blue	000-255	0-100%
88	Cell 6 red	000-255	0-100%
89	Cell 6 green	000-255	0-100%
90	Cell 6 blue	000-255	0-100%
91	Cell 7 red	000-255	0-100%
92	Cell 7 green	000-255	0-100%
93	Cell 7 blue	000-255	0-100%
94	Cell 8 red	000-255	0-100%
95	Cell 8 green	000-255	0-100%
96	Cell 8 blue	000-255	0-100%
97	Cell 9 red	000-255	0-100%
98	Cell 9 green	000-255	0-100%
99	Cell 9 blue	000-255	0-100%

100	Cell 10 red	000-255	0-100%
101	Cell 10 green	000-255	0-100%
102	Cell 10 blue	000-255	0-100%
103	Cell 11 red	000-255	0-100%
104	Cell 11 green	000-255	0-100%
105	Cell 11 blue	000-255	0-100%
106	Cell 12 red	000-255	0-100%
107	Cell 12 green	000-255	0-100%
108	Cell 12 blue	000-255	0-100%
109	Cell 13 red	000-255	0-100%
110	Cell 13 green	000-255	0-100%
111	Cell 13 blue	000-255	0-100%
112	Cell 14 red	000-255	0-100%
113	Cell 14 green	000-255	0-100%
114	Cell 14 blue	000-255	0-100%

115	Cell 15 red	000-255	0-100%
116	Cell 15 green	000-255	0-100%
117	Cell 15 blue	000-255	0-100%
118	Cell 16 red	000-255	0-100%
119	Cell 16 green	000-255	0-100%
120	Cell 16 blue	000-255	0-100%
121	Cell 17 red	000-255	0-100%
122	Cell 17 green	000-255	0-100%
123	Cell 17 blue	000-255	0-100%
124	Cell 18 red	000-255	0-100%
125	Cell 18 green	000-255	0-100%
126	Cell 18 blue	000-255	0-100%
127	Cell 19 red	000-255	0-100%
128	Cell 19 green	000-255	0-100%
129	Cell 19 blue	000-255	0-100%

130	Cell 20 red	000-255	0-100%
131	Cell 20 green	000-255	0-100%
132	Cell 20 blue	000-255	0-100%
133	Cell 21 red	000-255	0-100%
134	Cell 21 green	000-255	0-100%
135	Cell 21 blue	000-255	0-100%
136	Cell 22 red	000-255	0-100%
137	Cell 22 green	000-255	0-100%
138	Cell 22 blue	000-255	0-100%
139	Cell 23 red	000-255	0-100%
140	Cell 23 green	000-255	0-100%
141	Cell 23 blue	000-255	0-100%
142	Cell 24 red	000-255	0-100%
143	Cell 24 green	000-255	0-100%
144	Cell 24 blue	000-255	0-100%

DMX 512 144CHs Multi-Layer Control Dot/Cell Pixels

CH	Function	Value	Percent/Setting
1	Dot/Cell 1 dimmer	000-255	0-100%
2	Dot/Cell 1 fine dimmer	000-255	0-100%
3	Dot/Cell 1 red	000-255	0-100%
4	Dot/Cell 1 green	000-255	0-100%
5	Dot/Cell 1 blue	000-255	0-100%
6	Dot/Cell 1 white	000-255	0-100%
7	Dot/Cell 2 dimmer	000-255	0-100%
8	Dot/Cell 2 fine dimmer	000-255	0-100%
9	Dot/Cell 2 red	000-255	0-100%
10	Dot/Cell 2 green	000-255	0-100%
11	Dot/Cell 2 blue	000-255	0-100%
12	Dot/Cell 2 white	000-255	0-100%
13	Dot/Cell 3 dimmer	000-255	0-100%

14	Dot/Cell 3 fine dimmer	000-255	0-100%
15	Dot/Cell 3 red	000-255	0-100%
16	Dot/Cell 3 green	000-255	0-100%
17	Dot/Cell 3 blue	000-255	0-100%
18	Dot/Cell 3 white	000-255	0-100%
19	Dot/Cell 4 dimmer	000-255	0-100%
20	Dot/Cell 4 fine dimmer	000-255	0-100%
21	Dot/Cell 4 red	000-255	0-100%
22	Dot/Cell 4 green	000-255	0-100%
23	Dot/Cell 4 blue	000-255	0-100%
24	Dot/Cell 4 white	000-255	0-100%
25	Dot/Cell 5 dimmer	000-255	0-100%
26	Dot/Cell 5 fine dimmer	000-255	0-100%
27	Dot/Cell 5 red	000-255	0-100%
28	Dot/Cell 5 green	000-255	0-100%

29	Dot/Cell 5 blue	000-255	0-100%
30	Dot/Cell 5 white	000-255	0-100%
31	Dot/Cell 6 dimmer	000-255	0-100%
32	Dot/Cell 6 fine dimmer	000-255	0-100%
33	Dot/Cell 6 red	000-255	0-100%
34	Dot/Cell 6 green	000-255	0-100%
35	Dot/Cell 6 blue	000-255	0-100%
36	Dot/Cell 6 white	000-255	0-100%
37	Dot/Cell 7 dimmer	000-255	0-100%
38	Dot/Cell 7 fine dimmer	000-255	0-100%
39	Dot/Cell 7 red	000-255	0-100%
40	Dot/Cell 7 green	000-255	0-100%
41	Dot/Cell 7 blue	000-255	0-100%
42	Dot/Cell 7 white	000-255	0-100%
43	Dot/Cell 8 dimmer	000-255	0-100%

44	Dot/Cell 8 fine dimmer	000-255	0-100%
45	Dot/Cell 8 red	000-255	0-100%
46	Dot/Cell 8 green	000-255	0-100%
47	Dot/Cell 8 blue	000-255	0-100%
48	Dot/Cell 8 white	000-255	0-100%
49	Dot/Cell 9 dimmer	000-255	0-100%
50	Dot/Cell 9 fine dimmer	000-255	0-100%
51	Dot/Cell 9 red	000-255	0-100%
52	Dot/Cell 9 green	000-255	0-100%
53	Dot/Cell 9 blue	000-255	0-100%
54	Dot/Cell 9 white	000-255	0-100%
55	Dot/Cell 10 dimmer	000-255	0-100%
56	Dot/Cell 10 fine dimmer	000-255	0-100%
57	Dot/Cell 10 red	000-255	0-100%
58	Dot/Cell 10 green	000-255	0-100%

59	Dot/Cell 10 blue	000-255	0-100%
60	Dot/Cell 10 white	000-255	0-100%
61	Dot/Cell 11 dimmer	000-255	0-100%
62	Dot/Cell 11 fine dimmer	000-255	0-100%
63	Dot/Cell 11 red	000-255	0-100%
64	Dot/Cell 11 green	000-255	0-100%
65	Dot/Cell 11 blue	000-255	0-100%
66	Dot/Cell 11 white	000-255	0-100%
67	Dot/Cell 12 dimmer	000-255	0-100%
68	Dot/Cell 12 fine dimmer	000-255	0-100%
69	Dot/Cell 12 red	000-255	0-100%
70	Dot/Cell 12 green	000-255	0-100%
71	Dot/Cell 12 blue	000-255	0-100%
72	Dot/Cell 12 white	000-255	0-100%
73	Dot/Cell 13 dimmer	000-255	0-100%

74	Dot/Cell 13 fine dimmer	000-255	0-100%
75	Dot/Cell 13 red	000-255	0-100%
76	Dot/Cell 13 green	000-255	0-100%
77	Dot/Cell 13 blue	000-255	0-100%
78	Dot/Cell 13 white	000-255	0-100%
79	Dot/Cell 14 dimmer	000-255	0-100%
80	Dot/Cell 14 fine dimmer	000-255	0-100%
81	Dot/Cell 14 red	000-255	0-100%
82	Dot/Cell 14 green	000-255	0-100%
83	Dot/Cell 14 blue	000-255	0-100%
84	Dot/Cell 14 white	000-255	0-100%
85	Dot/Cell 15 dimmer	000-255	0-100%
86	Dot/Cell 15 fine dimmer	000-255	0-100%
87	Dot/Cell 15 red	000-255	0-100%
88	Dot/Cell 15 green	000-255	0-100%

89	Dot/Cell 15 blue	000-255	0-100%
90	Dot/Cell 15 white	000-255	0-100%
91	Dot/Cell 16 dimmer	000-255	0-100%
92	Dot/Cell 16 fine dimmer	000-255	0-100%
93	Dot/Cell 16 red	000-255	0-100%
94	Dot/Cell 16 green	000-255	0-100%
95	Dot/Cell 16 blue	000-255	0-100%
96	Dot/Cell 16 white	000-255	0-100%
97	Dot/Cell 17 dimmer	000-255	0-100%
98	Dot/Cell 17 fine dimmer	000-255	0-100%
99	Dot/Cell 17 red	000-255	0-100%
100	Dot/Cell 17 green	000-255	0-100%
101	Dot/Cell 17 blue	000-255	0-100%
102	Dot/Cell 17 white	000-255	0-100%
103	Dot/Cell 18 dimmer	000-255	0-100%

104	Dot/Cell 18 fine dimmer	000-255	0-100%
105	Dot/Cell 18 red	000-255	0-100%
106	Dot/Cell 18 green	000-255	0-100%
107	Dot/Cell 18 blue	000-255	0-100%
108	Dot/Cell 18 white	000-255	0-100%
109	Dot/Cell 19 dimmer	000-255	0-100%
110	Dot/Cell 19 fine dimmer	000-255	0-100%
111	Dot/Cell 19 red	000-255	0-100%
112	Dot/Cell 19 green	000-255	0-100%
113	Dot/Cell 19 blue	000-255	0-100%
114	Dot/Cell 19 white	000-255	0-100%
115	Dot/Cell 20 dimmer	000-255	0-100%
116	Dot/Cell 20 fine dimmer	000-255	0-100%
117	Dot/Cell 20 red	000-255	0-100%
118	Dot/Cell 20 green	000-255	0-100%

119	Dot/Cell 20 blue	000-255	0-100%
120	Dot/Cell 20 white	000-255	0-100%
121	Dot/Cell 21 dimmer	000-255	0-100%
122	Dot/Cell 21 fine dimmer	000-255	0-100%
123	Dot/Cell 21 red	000-255	0-100%
124	Dot/Cell 21 green	000-255	0-100%
125	Dot/Cell 21 blue	000-255	0-100%
126	Dot/Cell 21 white	000-255	0-100%
127	Dot/Cell 22 dimmer	000-255	0-100%
128	Dot/Cell 22 fine dimmer	000-255	0-100%
129	Dot/Cell 22 red	000-255	0-100%
130	Dot/Cell 22 green	000-255	0-100%
131	Dot/Cell 22 blue	000-255	0-100%
132	Dot/Cell 22 white	000-255	0-100%
133	Dot/Cell 23 dimmer	000-255	0-100%

134	Dot/Cell 23 fine dimmer	000-255	0-100%
135	Dot/Cell 23 red	000-255	0-100%
136	Dot/Cell 23 green	000-255	0-100%
137	Dot/Cell 23 blue	000-255	0-100%
138	Dot/Cell 23 white	000-255	0-100%
139	Dot/Cell 24 dimmer	000-255	0-100%
140	Dot/Cell 24 fine dimmer	000-255	0-100%
141	Dot/Cell 24 red	000-255	0-100%
142	Dot/Cell 24 green	000-255	0-100%
143	Dot/Cell 24 blue	000-255	0-100%
144	Dot/Cell 24 white	000-255	0-100%

DMX 512 120CHs Multi-Layer Control Dot/Cell Pixels

CH	Function	Value	Percent/Setting
1	Dot/Cell 1 dimmer	000-255	0-100%
2	Dot/Cell 1 fine dimmer	000-255	0-100%

3	Dot/Cell 1 red	000-255	0-100%
4	Dot/Cell 1 green	000-255	0-100%
5	Dot/Cell 1 blue	000-255	0-100%
6	Dot/Cell 2 dimmer	000-255	0-100%
7	Dot/Cell 2 fine dimmer	000-255	0-100%
8	Dot/Cell 2 red	000-255	0-100%
9	Dot/Cell 2 green	000-255	0-100%
10	Dot/Cell 2 blue	000-255	0-100%
11	Dot/Cell 3 dimmer	000-255	0-100%
12	Dot/Cell 3 fine dimmer	000-255	0-100%
13	Dot/Cell 3 red	000-255	0-100%
14	Dot/Cell 3 green	000-255	0-100%
15	Dot/Cell 3 blue	000-255	0-100%
16	Dot/Cell 4 dimmer	000-255	0-100%
17	Dot/Cell 4 fine dimmer	000-255	0-100%

18	Dot/Cell 4 red	000-255	0-100%
19	Dot/Cell 4 green	000-255	0-100%
20	Dot/Cell 4 blue	000-255	0-100%
21	Dot/Cell 5 dimmer	000-255	0-100%
22	Dot/Cell 5 fine dimmer	000-255	0-100%
23	Dot/Cell 5 red	000-255	0-100%
24	Dot/Cell 5 green	000-255	0-100%
25	Dot/Cell 5 blue	000-255	0-100%
26	Dot/Cell 6 dimmer	000-255	0-100%
27	Dot/Cell 6 fine dimmer	000-255	0-100%
28	Dot/Cell 6 red	000-255	0-100%
29	Dot/Cell 6 green	000-255	0-100%
30	Dot/Cell 6 blue	000-255	0-100%
31	Dot/Cell 7 dimmer	000-255	0-100%
32	Dot/Cell 7 fine dimmer	000-255	0-100%

33	Dot/Cell 7 red	000-255	0-100%
34	Dot/Cell 7 green	000-255	0-100%
35	Dot/Cell 7 blue	000-255	0-100%
36	Dot/Cell 8 dimmer	000-255	0-100%
37	Dot/Cell 8 fine dimmer	000-255	0-100%
38	Dot/Cell 8 red	000-255	0-100%
39	Dot/Cell 8 green	000-255	0-100%
40	Dot/Cell 8 blue	000-255	0-100%
41	Dot/Cell 9 dimmer	000-255	0-100%
42	Dot/Cell 9 fine dimmer	000-255	0-100%
43	Dot/Cell 9 red	000-255	0-100%
44	Dot/Cell 9 green	000-255	0-100%
45	Dot/Cell 9 blue	000-255	0-100%
46	Dot/Cell 10 dimmer	000-255	0-100%
47	Dot/Cell 10 fine dimmer	000-255	0-100%

48	Dot/Cell 10 red	000-255	0-100%
49	Dot/Cell 10 green	000-255	0-100%
50	Dot/Cell 10 blue	000-255	0-100%
51	Dot/Cell 11 dimmer	000-255	0-100%
52	Dot/Cell 11 fine dimmer	000-255	0-100%
53	Dot/Cell 11 red	000-255	0-100%
54	Dot/Cell 11 green	000-255	0-100%
55	Dot/Cell 11 blue	000-255	0-100%
56	Dot/Cell 12 dimmer	000-255	0-100%
57	Dot/Cell 12 fine dimmer	000-255	0-100%
58	Dot/Cell 12 red	000-255	0-100%
59	Dot/Cell 12 green	000-255	0-100%
60	Dot/Cell 12 blue	000-255	0-100%
61	Dot/Cell 13 dimmer	000-255	0-100%
62	Dot/Cell 13 fine dimmer	000-255	0-100%

63	Dot/Cell 13 red	000-255	0-100%
64	Dot/Cell 13 green	000-255	0-100%
65	Dot/Cell 13 blue	000-255	0-100%
66	Dot/Cell 14 dimmer	000-255	0-100%
67	Dot/Cell 14 fine dimmer	000-255	0-100%
68	Dot/Cell 14 red	000-255	0-100%
69	Dot/Cell 14 green	000-255	0-100%
70	Dot/Cell 14 blue	000-255	0-100%
71	Dot/Cell 15 dimmer	000-255	0-100%
72	Dot/Cell 15 fine dimmer	000-255	0-100%
73	Dot/Cell 15 red	000-255	0-100%
74	Dot/Cell 15 green	000-255	0-100%
75	Dot/Cell 15 blue	000-255	0-100%
76	Dot/Cell 16 dimmer	000-255	0-100%
77	Dot/Cell 16 fine dimmer	000-255	0-100%

78	Dot/Cell 16 red	000-255	0-100%
79	Dot/Cell 16 green	000-255	0-100%
80	Dot/Cell 16 blue	000-255	0-100%
81	Dot/Cell 17 dimmer	000-255	0-100%
82	Dot/Cell 17 fine dimmer	000-255	0-100%
83	Dot/Cell 17 red	000-255	0-100%
84	Dot/Cell 17 green	000-255	0-100%
85	Dot/Cell 17 blue	000-255	0-100%
86	Dot/Cell 18 dimmer	000-255	0-100%
87	Dot/Cell 18 fine dimmer	000-255	0-100%
88	Dot/Cell 18 red	000-255	0-100%
89	Dot/Cell 18 green	000-255	0-100%
90	Dot/Cell 18 blue	000-255	0-100%
91	Dot/Cell 19 dimmer	000-255	0-100%
92	Dot/Cell 19 fine dimmer	000-255	0-100%

93	Dot/Cell 19 red	000-255	0-100%
94	Dot/Cell 19 green	000-255	0-100%
95	Dot/Cell 19 blue	000-255	0-100%
96	Dot/Cell 20 dimmer	000-255	0-100%
97	Dot/Cell 20 fine dimmer	000-255	0-100%
98	Dot/Cell 20 red	000-255	0-100%
99	Dot/Cell 20 green	000-255	0-100%
100	Dot/Cell 20 blue	000-255	0-100%
101	Dot/Cell 21 dimmer	000-255	0-100%
102	Dot/Cell 21 fine dimmer	000-255	0-100%
103	Dot/Cell 21 red	000-255	0-100%
104	Dot/Cell 21 green	000-255	0-100%
105	Dot/Cell 21 blue	000-255	0-100%
106	Dot/Cell 22 dimmer	000-255	0-100%
107	Dot/Cell 22 fine dimmer	000-255	0-100%

108	Dot/Cell 22 red	000-255	0-100%
109	Dot/Cell 22 green	000-255	0-100%
110	Dot/Cell 22 blue	000-255	0-100%
111	Dot/Cell 23 dimmer	000-255	0-100%
112	Dot/Cell 23 fine dimmer	000-255	0-100%
113	Dot/Cell 23 red	000-255	0-100%
114	Dot/Cell 23 green	000-255	0-100%
115	Dot/Cell 23 blue	000-255	0-100%
116	Dot/Cell 24 dimmer	000-255	0-100%
117	Dot/Cell 24 fine dimmer	000-255	0-100%
118	Dot/Cell 24 red	000-255	0-100%
119	Dot/Cell 24 green	000-255	0-100%
120	Dot/Cell 24 blue	000-255	0-100%

DMX 512 96CHs Multi-Layer Control Dot/Cell Pixels

CH	Function	Value	Percent/Setting
1	Dot/Cell 1 red	000-255	0-100%
2	Dot/Cell 1 green	000-255	0-100%
3	Dot/Cell 1 blue	000-255	0-100%
4	Dot/Cell 1 White	000-255	0-100%
5	Dot/Cell 2 red	000-255	0-100%
6	Dot/Cell 2 green	000-255	0-100%
7	Dot/Cell 2 blue	000-255	0-100%
8	Dot/Cell 2 White	000-255	0-100%
9	Dot/Cell 3 red	000-255	0-100%
10	Dot/Cell 3 green	000-255	0-100%
11	Dot/Cell 3 blue	000-255	0-100%
12	Dot/Cell 3 White	000-255	0-100%
13	Dot/Cell 4 red	000-255	0-100%
14	Dot/Cell 4 green	000-255	0-100%

15	Dot/Cell 4 blue	000-255	0-100%
16	Dot/Cell 4 White	000-255	0-100%
17	Dot/Cell 5 red	000-255	0-100%
18	Dot/Cell 5 green	000-255	0-100%
19	Dot/Cell 5 blue	000-255	0-100%
20	Dot/Cell 5 White	000-255	0-100%
21	Dot/Cell 6 red	000-255	0-100%
22	Dot/Cell 6 green	000-255	0-100%
23	Dot/Cell 6 blue	000-255	0-100%
24	Dot/Cell 6 White	000-255	0-100%
25	Dot/Cell 7 red	000-255	0-100%
26	Dot/Cell 7 green	000-255	0-100%
27	Dot/Cell 7 blue	000-255	0-100%
28	Dot/Cell 7 White	000-255	0-100%
29	Dot/Cell 8 red	000-255	0-100%

30	Dot/Cell 8 green	000-255	0-100%
31	Dot/Cell 8 blue	000-255	0-100%
32	Dot/Cell 8 White	000-255	0-100%
33	Dot/Cell 9 red	000-255	0-100%
34	Dot/Cell 9 green	000-255	0-100%
35	Dot/Cell 9 blue	000-255	0-100%
36	Dot/Cell 9 White	000-255	0-100%
37	Dot/Cell 10 red	000-255	0-100%
38	Dot/Cell 10 green	000-255	0-100%
39	Dot/Cell 10 blue	000-255	0-100%
40	Dot/Cell 10 White	000-255	0-100%
41	Dot/Cell 11 red	000-255	0-100%
42	Dot/Cell 11 green	000-255	0-100%
43	Dot/Cell 11 blue	000-255	0-100%
44	Dot/Cell 11 White	000-255	0-100%

45	Dot/Cell 12 red	000-255	0-100%
46	Dot/Cell 12 green	000-255	0-100%
47	Dot/Cell 12 blue	000-255	0-100%
48	Dot/Cell 12 White	000-255	0-100%
49	Dot/Cell 13 red	000-255	0-100%
50	Dot/Cell 13 green	000-255	0-100%
51	Dot/Cell 13 blue	000-255	0-100%
52	Dot/Cell 13 White	000-255	0-100%
53	Dot/Cell 14 red	000-255	0-100%
54	Dot/Cell 14 green	000-255	0-100%
55	Dot/Cell 14 blue	000-255	0-100%
56	Dot/Cell 14 White	000-255	0-100%
57	Dot/Cell 15 red	000-255	0-100%
58	Dot/Cell 15 green	000-255	0-100%
59	Dot/Cell 15 blue	000-255	0-100%

60	Dot/Cell 15 White	000-255	0-100%
61	Dot/Cell 16 red	000-255	0-100%
62	Dot/Cell 16 green	000-255	0-100%
63	Dot/Cell 16 blue	000-255	0-100%
64	Dot/Cell 16 White	000-255	0-100%
65	Dot/Cell 17 red	000-255	0-100%
66	Dot/Cell 17 green	000-255	0-100%
67	Dot/Cell 17 blue	000-255	0-100%
68	Dot/Cell 17 White	000-255	0-100%
69	Dot/Cell 18 red	000-255	0-100%
70	Dot/Cell 18 green	000-255	0-100%
71	Dot/Cell 18 blue	000-255	0-100%
72	Dot/Cell 18 White	000-255	0-100%
73	Dot/Cell 19 red	000-255	0-100%
74	Dot/Cell 19 green	000-255	0-100%

75	Dot/Cell 19 blue	000-255	0-100%
76	Dot/Cell 19 White	000-255	0-100%
77	Dot/Cell 20 red	000-255	0-100%
78	Dot/Cell 20 green	000-255	0-100%
79	Dot/Cell 20 blue	000-255	0-100%
80	Dot/Cell 20 White	000-255	0-100%
81	Dot/Cell 21 red	000-255	0-100%
82	Dot/Cell 21 green	000-255	0-100%
83	Dot/Cell 21 blue	000-255	0-100%
84	Dot/Cell 21 White	000-255	0-100%
85	Dot/Cell 22 red	000-255	0-100%
86	Dot/Cell 22 green	000-255	0-100%
87	Dot/Cell 22 blue	000-255	0-100%
88	Dot/Cell 22 White	000-255	0-100%
89	Dot/Cell 23 red	000-255	0-100%

90	Dot/Cell 23 green	000-255	0-100%
91	Dot/Cell 23 blue	000-255	0-100%
92	Dot/Cell 23 White	000-255	0-100%
93	Dot/Cell 24 green	000-255	0-100%
94	Dot/Cell 24 blue	000-255	0-100%
95	Dot/Cell 24 White	000-255	0-100%
96	Dot/Cell 24 White	000-255	0-100%

DMX 512 72CHs Multi-Layer Control Dot/Cell Pixels

CH	Function	Value	Percent/Setting
1	Dot/Cell 1 red	000-255	0-100%
2	Dot/Cell 1 green	000-255	0-100%
3	Dot/Cell 1 blue	000-255	0-100%
4	Dot/Cell 2 red	000-255	0-100%
5	Dot/Cell 2 green	000-255	0-100%
6	Dot/Cell 2 blue	000-255	0-100%

7	Dot/Cell 3 red	000-255	0-100%
8	Dot/Cell 3 green	000-255	0-100%
9	Dot/Cell 3 blue	000-255	0-100%
10	Dot/Cell 4 red	000-255	0-100%
11	Dot/Cell 4 green	000-255	0-100%
12	Dot/Cell 4 blue	000-255	0-100%
13	Dot/Cell 5 red	000-255	0-100%
14	Dot/Cell 5 green	000-255	0-100%
15	Dot/Cell 5 blue	000-255	0-100%
16	Dot/Cell 6 red	000-255	0-100%
17	Dot/Cell 6 green	000-255	0-100%
18	Dot/Cell 6 blue	000-255	0-100%
19	Dot/Cell 7 red	000-255	0-100%
20	Dot/Cell 7 green	000-255	0-100%
21	Dot/Cell 7 blue	000-255	0-100%

22	Dot/Cell 8 red	000-255	0-100%
23	Dot/Cell 8 green	000-255	0-100%
24	Dot/Cell 8 blue	000-255	0-100%
25	Dot/Cell 9 red	000-255	0-100%
26	Dot/Cell 9 green	000-255	0-100%
27	Dot/Cell 9 blue	000-255	0-100%
28	Dot/Cell 10 red	000-255	0-100%
29	Dot/Cell 10 green	000-255	0-100%
30	Dot/Cell 10 blue	000-255	0-100%
31	Dot/Cell 11 red	000-255	0-100%
32	Dot/Cell 11 green	000-255	0-100%
33	Dot/Cell 11 blue	000-255	0-100%
34	Dot/Cell 12 red	000-255	0-100%
35	Dot/Cell 12 green	000-255	0-100%
36	Dot/Cell 12 blue	000-255	0-100%

37	Dot/Cell 13 red	000-255	0-100%
38	Dot/Cell 13 green	000-255	0-100%
39	Dot/Cell 13 blue	000-255	0-100%
40	Dot/Cell 14 red	000-255	0-100%
41	Dot/Cell 14 green	000-255	0-100%
42	Dot/Cell 14 blue	000-255	0-100%
43	Dot/Cell 15 red	000-255	0-100%
44	Dot/Cell 15 green	000-255	0-100%
45	Dot/Cell 15 blue	000-255	0-100%
46	Dot/Cell 16 red	000-255	0-100%
47	Dot/Cell 16 green	000-255	0-100%
48	Dot/Cell 16 blue	000-255	0-100%
49	Dot/Cell 17 red	000-255	0-100%
50	Dot/Cell 17 green	000-255	0-100%
51	Dot/Cell 17 blue	000-255	0-100%

52	Dot/Cell 18 red	000-255	0-100%
53	Dot/Cell 18 green	000-255	0-100%
54	Dot/Cell 18 blue	000-255	0-100%
55	Dot/Cell 19 red	000-255	0-100%
56	Dot/Cell 19 green	000-255	0-100%
57	Dot/Cell 19 blue	000-255	0-100%
58	Dot/Cell 20 red	000-255	0-100%
59	Dot/Cell 20 green	000-255	0-100%
60	Dot/Cell 20 blue	000-255	0-100%
61	Dot/Cell 21 red	000-255	0-100%
62	Dot/Cell 21 green	000-255	0-100%
63	Dot/Cell 21 blue	000-255	0-100%
64	Dot/Cell 22 red	000-255	0-100%
65	Dot/Cell 22 green	000-255	0-100%
66	Dot/Cell 22 blue	000-255	0-100%

67	Dot/Cell 23 red	000-255	0-100%
68	Dot/Cell 23 green	000-255	0-100%
69	Dot/Cell 23 blue	000-255	0-100%
70	Dot/Cell 24 red	000-255	0-100%
71	Dot/Cell 24 green	000-255	0-100%
72	Dot/Cell 24 blue	000-255	0-100%

DMX Channel Assignments and Values

DMX Channel Assignments and Values

Color Temperature Chart

Value	Setting	Value	Setting	Value	Setting	Value	Setting
000 ⇔ 005	No function	063 ⇔ 069	3600–3700K	126 ⇔ 132	4500–4600K	189 ⇔ 195	5400–5500K
006 ⇔ 013	2800–2900K	070 ⇔ 076	3700–3800K	133 ⇔ 139	4600–4700K	196 ⇔ 202	5500–5600K
014 ⇔ 020	2900–3000K	077 ⇔ 083	3800–3900K	140 ⇔ 146	4700–4800K	203 ⇔ 209	5600–5700K
021 ⇔ 027	3000–3100K	084 ⇔ 090	3900–4000K	147 ⇔ 153	4800–4900K	210 ⇔ 216	5700–6000K
028 ⇔ 034	3100–3200K	091 ⇔ 097	4000–4100K	154 ⇔ 160	4900–5000K	217 ⇔ 223	6000–6500K
035 ⇔ 041	3200–3300K	098 ⇔ 104	4100–4200K	161 ⇔ 167	5000–5100K	224 ⇔ 230	6500–7000K
042 ⇔ 048	3300–3400K	105 ⇔ 111	4200–4300K	168 ⇔ 174	5100–5200K	231 ⇔ 237	7000–7500K
049 ⇔ 055	3400–3500K	112 ⇔ 118	4300–4400K	175 ⇔ 181	5200–5300K	238 ⇔ 244	7500–8000K
056 ⇔ 062	3500–3600K	119 ⇔ 125	4400–4500K	182 ⇔ 188	5300–5400K	245 ⇔ 255	8000K

Color Macro Chart

Value	Setting	Value	Setting	Value	Setting
000	No function	012 ⇔ 048	Green +, blue 100%	163	Red 100%
001 ⇔ 002	2700K white	049	Green and blue 100%	164 ⇔ 200	Red 100%, blue +
003 ⇔ 004	3200K white	050 ⇔ 086	Green 100%, blue -	201	Red and blue 100%
005 ⇔ 006	4200K white	087	Green 100%	202 ⇔ 238	Red -, blue 100%
007 ⇔ 008	5600K white	088 ⇔ 124	Red +, green 100%	239	Blue 100%
009 ⇔ 010	8000K white	125	Red and green 100%	240 ⇔ 247	Color fade, fast to slow
011	Blue 100%	126 ⇔ 162	Red 100%, green -	248 ⇔ 255	Color snap, fast to slow

Control Chart

Value	Setting	Value	Setting	Value	Setting
000 ⇔ 005	No function	061 ⇔ 065	Fan mode On	121 ⇔ 125	Normal tilt speed
006 ⇔ 010	Dimmer mode off	066 ⇔ 070	Fan mode Silent	126 ⇔ 130	Hold last on DMX loss
011 ⇔ 015	Dimmer mode 1 (fast)	071 ⇔ 075	Linear dimmer curve	131 ⇔ 135	Blackout on DMX loss
016 ⇔ 020	Dimmer mode 2 (medium)	076 ⇔ 080	Square dimmer curve	136 ⇔ 145	Reserved for future use
021 ⇔ 025	Dimmer mode 3 (slow)	081 ⇔ 085	Inverse square dim curve	146 ⇔ 150	Color calibration off
026 ⇔ 030	PWM 1000 Hz	086 ⇔ 090	S-curve dimmer curve	151 ⇔ 155	User color calibration
031 ⇔ 035	PWM 2000 Hz	091 ⇔ 095	No function	156 ⇔ 160	Factory color calibration
036 ⇔ 040	PWM 4000 Hz	096 ⇔ 100	Invert Dot off	161 ⇔ 243	Reserved for future use
041 ⇔ 045	PWM 6000 Hz	101 ⇔ 105	Invert Dot on	244 ⇔ 249	Dimmer mode override (instant engage)
046 ⇔ 050	PWM 25 KHz	106 ⇔ 110	Invert Cell off	250 ⇔ 255	No function
051 ⇔ 055	PWM 64 KHz	111 ⇔ 115	Invert Cell on		
056 ⇔ 060	Fan mode Auto	116 ⇔ 120	Color STRIKE M tilt speed		

FX Macro Chart

Value	Setting	Value	Setting	Value	Setting	Value	Setting	Value	Setting	Value	Setting
000	No function	043	Macro 6.1	086	Macro 28 A	129	Macro 39.5	172	Macro 54	214	Macro 61 M
001	No function	044	Macro 6.2	087	Macro 28 B	130	Macro 40.1	173	Macro 55 A	215	Macro 61 N
002	No function	045	Macro 7.1	088	Macro 28 C	131	Macro 40.2	174	Macro 55 B	216	Macro 61 O
003	Macro 1.01	046	Macro 7.2	089	Macro 29.1	132	Macro 40.3	175	Macro 55 C	217	Macro 61 P
004	Macro 1.02	047	Macro 8	090	Macro 29.2	133	Macro 40.4	176	Macro 55 D	218	Macro 61 Q
005	Macro 1.03	048	Macro 9	091	Macro 29.3	134	Macro 41.1	177	Macro 56 A	219	Macro 61 R
006	Macro 1.04	049	Macro 10.1	092	Macro 29.4	135	Macro 41.2	178	Macro 56 B	220	Macro 62 A
007	Macro 1.05	050	Macro 10.2	093	Macro 29.5	136	Macro 41.3	179	Macro 56 C	221	Macro 62 B
008	Macro 1.06	051	Macro 11	094	Macro 29.6	137	Macro 42.1	180	Macro 56 D	222	Macro 62 C
009	Macro 1.07	052	Macro 12	095	Macro 30.1	138	Macro 42.2	181	Macro 56 E	223	Macro 62 D
010	Macro 1.08	053	Macro 13	096	Macro 30.2	139	Macro 43	182	Macro 56 F	224	Macro 62 E
011	Macro 1.09	054	Macro 14	097	Macro 30.3	140	Macro 44 A	183	Macro 57.1	225	Macro 62 F
012	Macro 1.10	055	Macro 15.1	098	Macro 30.4	141	Macro 44 B	184	Macro 57.2	226	Macro 62 G
013	Macro 1.10	056	Macro 15.2	099	Macro 30.5 A	142	Macro 45 A	185	Macro 58 A	227	Macro 62 H
014	Macro 1.12	057	Macro 15.3	100	Macro 30.5 B	143	Macro 45 B	186	Macro 58 B	228	Macro 62 I
015	Macro 1.13	058	Macro 16.1	101	Macro 30.5 C	144	Macro 46	187	Macro 58 C	229	Macro 62 J
016	Macro 1.14	059	Macro 16.2	102	Macro 31	145	Macro 47 A	188	Macro 58 D	230	Macro 62 K
017	Macro 1.15	060	Macro 17.1	103	Macro 32 A	146	Macro 47 B	189	Macro 58 E	231	Macro 62 L
018	Macro 1.16	061	Macro 17.2	104	Macro 32 B	147	Macro 47 C	190	Macro 58 F	232	Macro 62 M
019	Macro 1.17	062	Macro 18.1	105	Macro 33.1	148	Macro 48.1	191	Macro 58 G	233	Macro 62 N
020	Macro 1.18	063	Macro 18.2	106	Macro 33.2	149	Macro 48.2	192	Macro 58 H	234	Macro 62 O
021	Macro 2.1	064	Macro 19.1	107	Macro 33.3	150	Macro 49 A	193	Macro 58 I	235	Macro 62 P
022	Macro 2.2	065	Macro 19.2	108	Macro 33.4	151	Macro 49 B	194	Macro 59.1	236	Macro 62 Q
023	Macro 2.3	066	Macro 20 A	109	Macro 34.1	152	Macro 49 C	195	Macro 59.2	237	Macro 62 R
024	Macro 2.4	067	Macro 20 B	110	Macro 34.2	153	Macro 49 D	196	Macro 59.3	238	Macro 63 A
025	Macro 2.5	068	Macro 21 A	111	Macro 34.3	154	Macro 49 E	197	Macro 60 A	239	Macro 63 B
026	Macro 2.6	069	Macro 21 B	112	Macro 35.1	155	Macro 49 F	198	Macro 60 B	240	Macro 63 C
027	Macro 2.7	070	Macro 21 C	113	Macro 35.2	156	Macro 50.1	199	Macro 60 C	241	Macro 63 D
028	Macro 2.8	071	Macro 22 A	114	Macro 36	157	Macro 50.2	200	Macro 60 D	242	Macro 63 E
029	Macro 2.9	072	Macro 22 B	115	Macro 37.1	158	Macro 50.3 A	201	Macro 60 E	243	Macro 63 F
030	Macro 3.1	073	Macro 22 C	116	Macro 37.2 A	159	Macro 50.3 B	202	Macro 61 A	244	Macro 63 G
031	Macro 3.2	074	Macro 23.1	117	Macro 37.2 B	160	Macro 50.3 C	203	Macro 61 B	245	Macro 63 H
032	Macro 3.3	075	Macro 23.2	118	Macro 37.2 C	161	Macro 51 A	204	Macro 61 C	246	Macro 63 I
033	Macro 3.4	076	Macro 23.3	119	Macro 37.2 D	162	Macro 51 B	205	Macro 61 D	247	Macro 64 A
034	Macro 3.5	077	Macro 24	120	Macro 37.2 E	163	Macro 51 C	206	Macro 61 E	248	Macro 64 B
035	Macro 3.6	078	Macro 25	121	Macro 37.2 F	164	Macro 52 A	207	Macro 61 F	249	Macro 64 C
036	Macro 4.1	079	Macro 26 A	122	Macro 38 A	165	Macro 52 B	208	Macro 61 G	250	Macro 64 D
037	Macro 4.2	080	Macro 26 B	123	Macro 38 B	166	Macro 53 A	209	Macro 61 H	251	Macro 64 D
038	Macro 4.3	081	Macro 26 C	124	Macro 38 C	167	Macro 53 B	210	Macro 61 I	252	Macro 64 E
039	Macro 4.4	082	Macro 26 D	125	Macro 39.1	168	Macro 53 C	211	Macro 61 J	253	Macro 64 F
040	Macro 5.1	083	Macro 27.1	126	Macro 39.2	169	Macro 53 D	212	Macro 61 K	254	Macro 64 G
041	Macro 5.2	084	Macro 27.2 A	127	Macro 39.3	170	Macro 53 E	213	Macro 61 L	255	Macro 64 H
042	Macro 5.3	085	Macro 27.2 B	128	Macro 39.4	171	Macro 53 F				

5. Trouble Shooting

Following are a few common problems that may occur during operation. Here are some suggestions for easy troubleshooting:

a. The unit does not work, no light and the fan does not work

1. Check the connection of power and main fuse.
2. Measure the mains voltage on the main connector.
3. Check the power on LED.

b. Not responding to DMX controller

1. DMX LED should be on. If not, check DMX connectors, cables to see if link properly.
2. If the DMX LED is on and no response to the channel, check the address settings and DMX polarity.
3. If you have intermittent DMX signal problems, check the pins on connectors or on PCB of the unit or the previous one.
4. Try to use another DMX controller.
5. Check if the DMX cables run near or run alongside to high voltage cables that may cause damage or interference to DMX interface circuit.

6. Fixture Cleaning

The cleaning of internal and external optical lenses and/or mirrors must be carried out periodically to optimize light output. Cleaning frequency depends on the environment in which the fixture operates: damp, smoky or particularly

dirty surrounding can cause greater accumulation of dirt on the unit's optics.

- **Clean with soft cloth using normal glass cleaning fluid.**
- **Always dry the parts carefully.**
- **Clean the external optics at least every 20 days. Clean the internal optics at least every 30/60 days.**